



VoIP KNZD-09A Emergency Telephone

DESCRIPTION ITEM NO.ZD09A0022

1. Cold-roll steel body, vandal & tamper-resistant hardware, easy Installation.
2. Waterproof rating IP55 dust proof.
3. LED indicator for incoming call.
4. Hands-free button, double loudspeaker.
5. Lightening protection to ITU-T recommendation K.21.
6. POE power supply or DC12V.
7. Temperature range from -40 degree to +70 degree.
8. Support echo cancellation.
9. Remote software upgrade, configuration and monitoring.
10. Optional 7 minute time out to release the line if the handset is left off hook. This function upon buyer's requirement).
11. Powder coated in UV stabilized polyester finish.
12. The housing covered with a layer of reflective label for easy identification at night.Optional
13. Application: Tunnel, metro, railway, LRT, speedway, marine, ship,offshore, mine, power plant, bridge etc.

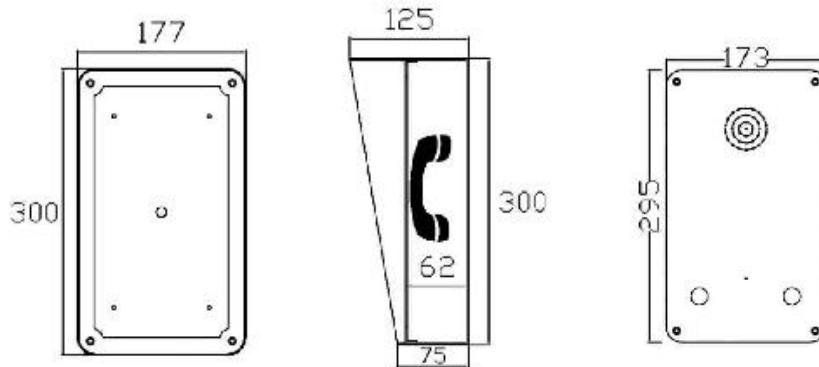


SPECIFICATION

VoIP SIP2.0 telephone DTMF dialing
 MTBF:100000hours MTRR: 2 hours
 Hotline(maximum length of each number is 16 digits)
 Communication: Full duplex 2-way hands-free communication
 Call Control Signaling:VOIP SIP Info(DTMF), RFC 2833(DTMF)
 Power:Power over Ethernet, IEEE802.3af, Class 0
 Local power, 12VDC,Idle 2W, Max 10W
 Auxiliary Contacts:1 Aux Output, dry contact
 Contact Ratings. Load: Resistive load
 Rated load:0.3 A at 125 VAC; 1 A at 30 VDC
 Rated carry current:1A
 Max.switching voltage:125 VAC,60VDC
 Max.switching current:1A

Audio Codes:G.711, G.722, G.729
 Network:10/100 BaseTX Ethernet, RJ45 connectors, Cat5e or better
 IP Protocols:IPv4, TCP, UDP, TFTP, RTP, RTCP, DHCP, SIP
 LAN Protocols:Power over Ethernet(PoE,802.3af), WLAN(IEEE 802.3af), Network Access Control(IEEE 802.1x),STP(IEEE 802.1d), RSTP(IEEE 802.1d-2004)
 Programming:Non-volatile flash memory programming and configuration through Web GUI
 Management and Operation:DHCP and static IP, remote automatic software upgrade, centralized monitoring, status LED
 Echo cancellation code:G.167/G.168

INSTALLATION



CERTIFICATION

RCM: AS/NZS CISPR 32 Australian communications:AS/CA S004
 Australian Equipment-safety: AS/NZS 60950.1:2015
 EMC: EN50121(Railway application-Electromagnetic Compatibility)



PACKING



Unit size:300*180*95mm Unit: N.W:4.2KG
 1pcs packing box size: 439*277*191mm Unit N.W:4.2KG Unit G.W:5KG
 6pcs in 1 outer Carton box: size: 730*390*340mm N.W:31.8KG G.W:34KG