



## VOIP KNSP-18LCD-IP-Y Waterproof Telephone

### DESCRIPTION ITEM NO.

1. Robust SMC 2600 glass fibre reinforced polyester die-cast body, Vandal & tamper-resistant hardware, easy Installation.
2. Full keypad with memory, 3 button programmable telephone, support free dial.
3. LCD display show the dialing number.
4. temperature range from -40 degree to +70 degree.
5. Magnetic reed hook-switch.
6. DC input overvoltage overcurrent protection and RJ 45 surge protection.
7. Heavy Duty handset with hearing Aid compatible(HAC) receiver, Noise canceling microphone.
8. Handset with industrial strong armored cord .
9. Stainless steel keypad keep waterproof and dusty proof.
10. Temperature range from -40 degree to +70 degree.
11. Support echo cancellation.
12. Remote software upgrade, configuration and monitoring.
13. Optional 7 minute time-limited call.( This function upon buyer's requirement).
14. Powder coated in UV stabilized polyester finish.
15. Application: Tunnel, metro, railway, LRT, speedway, marine, ship, offshore, mine, power plant, bridge etc.



## SPECIFICATION

VoIP SIP2.0 telephone                      DTMF dialing  
MTBF:100000hours                      MTTR: 2 hours  
Hot-line (maximum length of each number is 16 digits)  
Communication: Full duplex 2-way handset communication  
Call Control Signaling:VOIP SIP Info(DTMF), RFC 2833(DTMF)  
Power:Power over Ethernet, IEEE802.3af, Class 0  
Local power, 12VDC,Idle 2W, Max 10W  
Auxiliary Contacts: (option)  
1 Aux Output, dry contact  
Contact Ratings. Load: Resistive load  
Rated load:0.3 A at 125 VAC; 1 A at 30 VDC  
Rated carry current:1A  
Max.switching voltage:125 VAC,30VDC  
Max.switching current:1A

Audio Codes:G.711, G.723,G7.26, G.729  
Network:10/100 BaseTX Ethernet, RJ45 connectors, Cat5e or better  
IP Protocols:IPv4, TCP, UDP, RTP, DHCP, SIP  
1 x LAN Protocols:Power over Ethernet(PoE,802.3af),  
1 x WLAN(IEEE 802.3af), Network Access Control(IEEE 802.1x),STP(IEEE 802.1d), RSTP(IEEE 802.1d-2004)  
Programming:Non-volatile flash memory programming and configuration through Web GUI  
Management and Operation:DHCP and static IP, remote automatic software upgrade, centralized monitoring.  
Echo cancellation code:G.167/G.168

## Order information:

Model number	Power Supply	Item Number
KNSP-18LCD-IP-Y_AD	DC12V 1A	SP0180082
KNSP-18LCD-IP-Y_P	POE	SP0180032
KNSP-18LCD-IP-Y_ADP	DC12V 1A +POE	SP0180172

\*AD---Adapter UL (Input : AC110~240V , Output : DC12V 1A)

\*P---POE

## CERTIFICATION

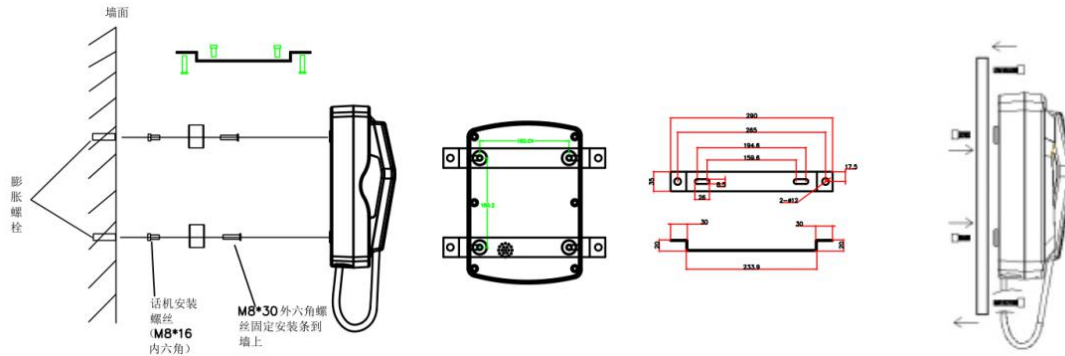
Australian communications:AS/CA S004  
Australian Equipment-safety: AS/NZS 60950.1:2015  
RCM: AS/NZS CISPR 32  
EMC:EN55032, EN55024,EN61000-3-2.



**HONGKONG KOON TECHNOLOGY LTD**

TEL:0086755 29790158/27448753 Fax:0086755 29790278  
Email:marketing@koontech.com www.koontech.com

## INSTALLATION



Installation method: mounting strip,

mounting plate

## PACKNG

Unit size: 290 \* 205 \* 117mm N.W: 4KG

1pcs packing box size: 332 \* 210 \* 125mm N.W: 4.79KG

6pcs in 1 outer Carton box: size: 670 \* 352 \* 315mm N.W: 30.5KG

