



Analogue KNZD-06 Emergency Intercom

DESCRIPTION ITEM NO.:ZD0060012

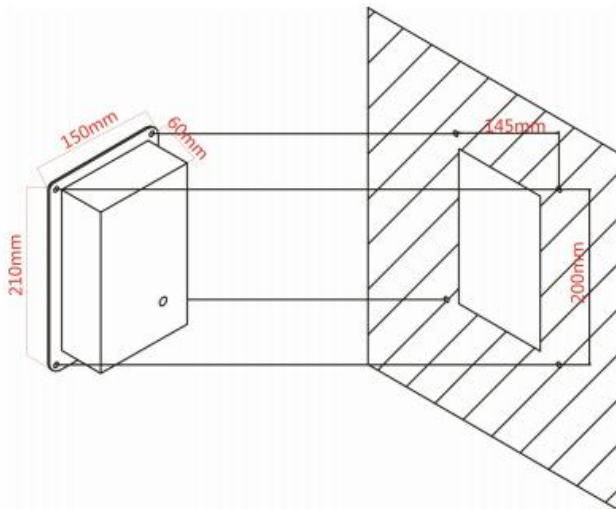
1. Stainless steel 304 body, easy Installation.
2. Waterproof rating IP65 dust proof.
3. Hands-free, with built-in loudspeaker.
4. Weather resistant to IP65 standard, service temperature range from -30 degree to +75 degree.
5. Lightening protection to ITU-T recommendation K.21.
6. Metal keypad keep waterproof and dusty proof.
7. Flush mounted type installation
8. Auto release the line if the other side not end the call. This function upon buyer's requirement).
9. Body in electrophoresis process finish no fingerprint. Resistant to corrosion
10. Telephone line powered, RJ11 twisted pair cable connection.
11. Application: Clean room, pharmaceutical factory, hospital, chemical plant, metro etc.



SPECIFICATION

ZD0060012

1. PSTN analogue telephone
2. DTMF dialing
3. MTBF: 100000 hours
4. MTTR: 2 hours
5. Connection: RJ11 screw terminal pair cable
6. Applicable for various types of SPC exchange PABX and dispatching exchange with feeding voltage of 33-60V.
7. Ambient temperature: -30 ~ +60 degree. Relative humidity: 10%~95%
Atmospheric pressure: 86~106Kpa Circumstance noise: less than 60dB(A)
8. Sound level of ringing: over 70dB(A).
9. Standard frequency: low frequency group: 697. 770. 852. 941Hz,
high frequency group: 1209. 1336. 1477Hz, frequency deviation: -1.5% ~ +1.5%
10. Call transmission index: (5KM)SLR<12, RLR<-1, STMR>10, output impedance is 600 Ohm.
maximum distance: 7KM
11. Super strong function is available for free dialing (maximum length of each number is 16 digits).
12. Connection: RJ11 screw terminal pair cable (or RJ11 Socket of plug upon request)
with stainless steel cable protected

INSTALLATION**CERTIFICATION**

EN55022: emissions

EN55024: immunity

Ingress Protection: GB4208-93 IP66 FCC

ITU-T Recommendations K21

EMC: EN50121(Railway application-Electromagnetic Compatibility)

**RoHS****HONGKONG KOON TECHNOLOGY LTD**TEL: 0086755 29790158/27448753 Fax: 0086755 29790278
Email: marketing@koontech.com www.koontech.com

PACKING



Unit size:210*150*60mm Unit: N.W:1.5KG

1pcs packing box size: 230 *170 *80mm Unit N.W:1.5KG Unit G.W:1.7KG