

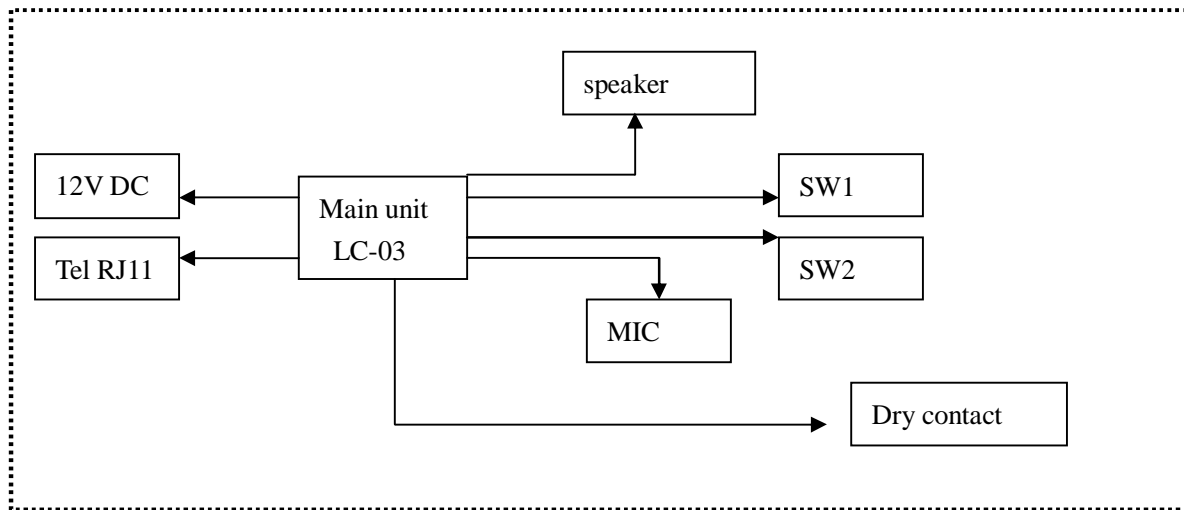
LC-03 Intercom system for Lift Car



This intercom system for lift car is designed to provide a direct communication between passengers seeking help and the station controller. Its hands-free intercom system. The lift unit is connected to a PABX analogue interface and is powered by the PABX.

ISSUE	Date	Issued by
1	May. 2011	Jenny Deng

System structure



1. Product general description

1.1 Main Product features

1. With 2 call buttons with memory. One for master button and the other one for slave button
2. with built-in 12 buttons keypad for store preset numbers.
3. with 1 call status LED,
waiting to answer: light on, conversation: flashing. Finish conversation: dark
4. Hands-free communication
5. Auto-answer
6. the phone will release the line when other side hang up.
7. Lightning protection to ITU-T recommendation K.21
8. Analogue interface to PABX using 2 wire operation
9. Adjustable ringer and volume control.
10. Dry contact.
During Conversation: dry contact close. Finish conversation: dry contact open.
11. 12V DC power supply

2. Tone specification:

Ringing back tone: 0.4s ON, 0.2s Off, 0.4s ON, 3 Sec Off

Busy tone: 0.5s ON, 0.5, Off

3. Built-in main unit keypad for store speed dial number



3. Certification:



EMC:

EN50121 (Railway application- Electromagnetic Compatibility)

EN55022: emissions

EN55024: immunity

Ingress Protection: GB4208-93 IP67

FCC

ITU-T Recommendations K21

4. Packing detail:

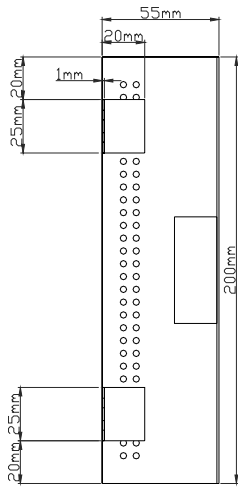


Unit size: main unit: 186x160x200mm , speaker: 120x110x45mm, microphone: 50x50x50

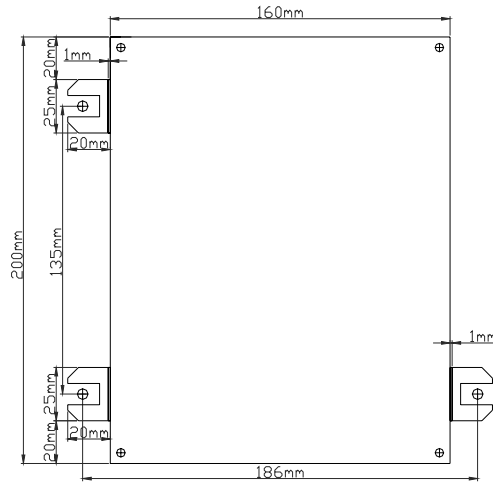
1pcs in each inner CTN box, size: 43.3 x 27.6 x 19.1 G.W: 5kg

4pcs in outer CTN box, size: 56.6 x 44.5 x42 G.W: 17kg

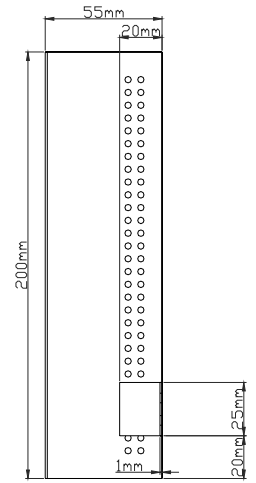
Appendix 1 (main unit dimension)



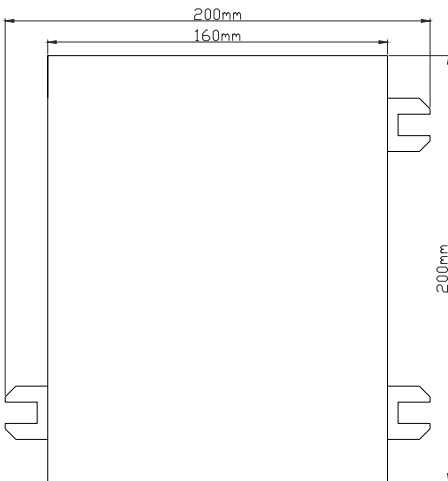
SIDE VIEW
SCALE 1 : 4



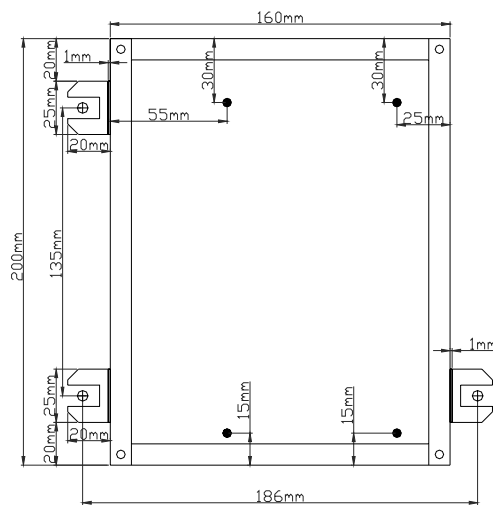
FRONT VIEW (WITH COVER)
SCALE 1 : 4



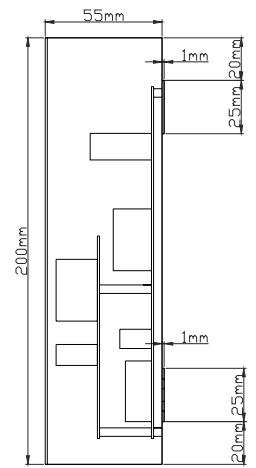
SIDE VIEW
SCALE 1 : 4



BACK VIEW
SCALE 1 : 4

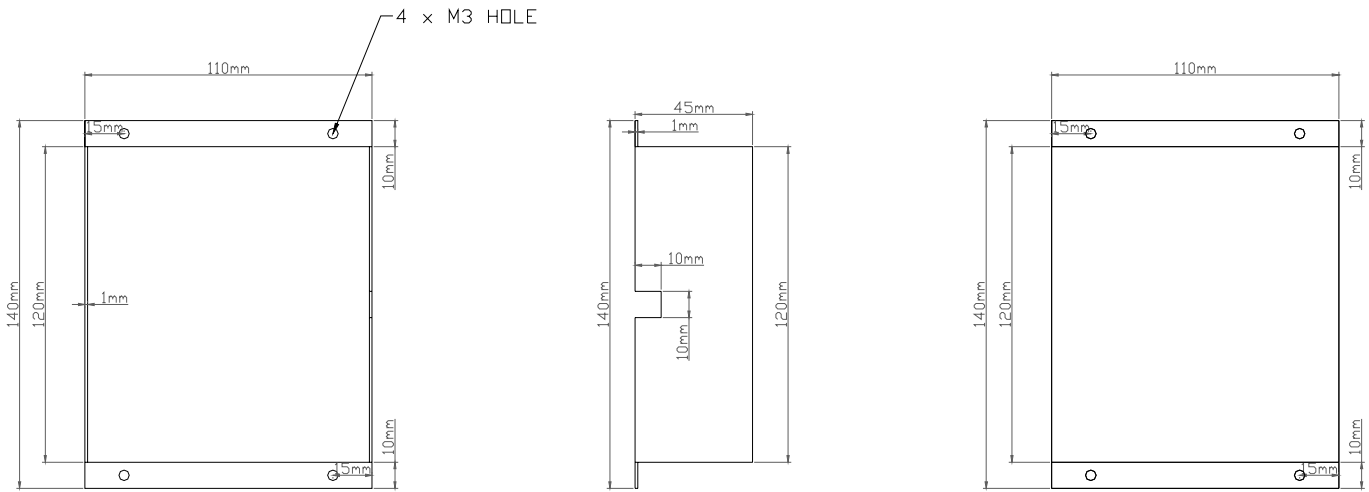


FRONT VIEW
SCALE 1 : 4



SIDE VIEW
SCALE 1 : 4

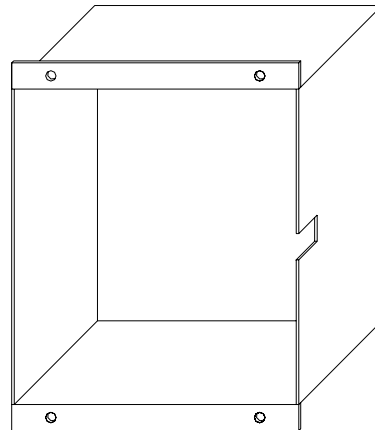
Appendix 2 (speaker dimension 1)



FRONT VIEW
SCALE 1 : 3

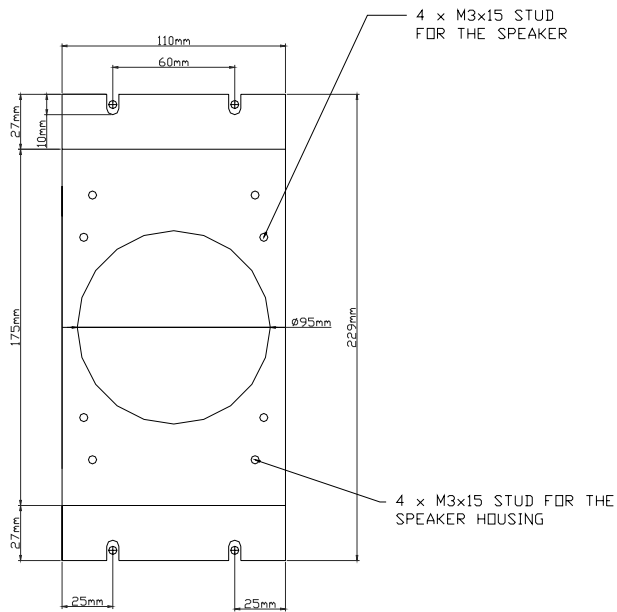
SIDE VIEW
SCALE 1 : 3

BACK VIEW
SCALE 1 : 3

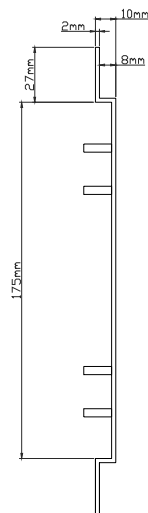


3-D VIEW
SCALE 1 : 2

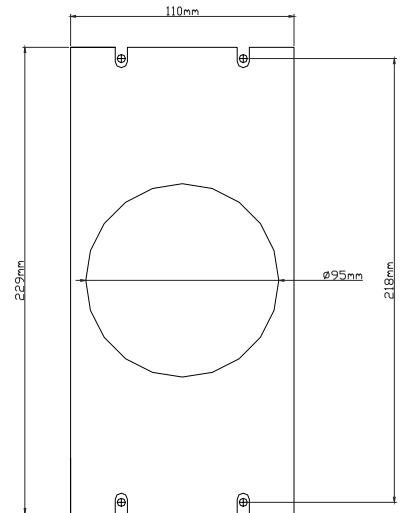
Appendix 3 (speaker dimension 2)



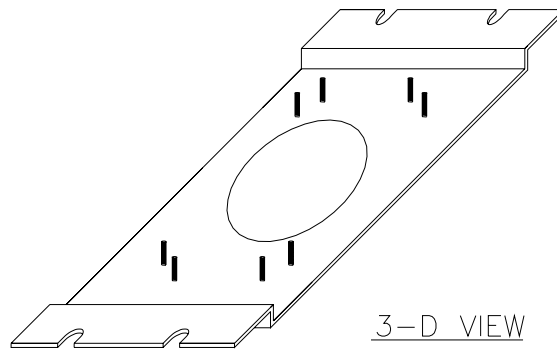
FRONT VIEW
SCALE 1 : 4



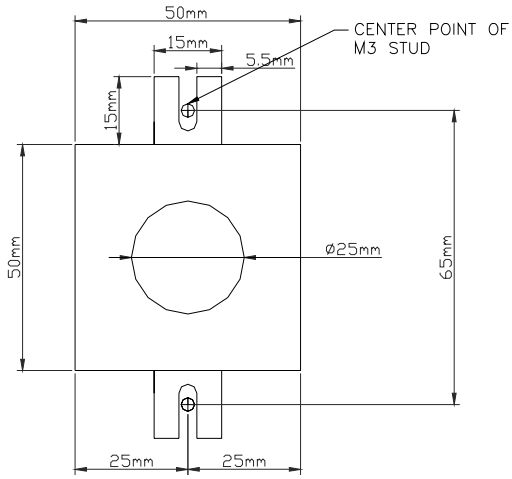
SIDE VIEW
SCALE 1 : 4



BACK VIEW
SCALE 1 : 4

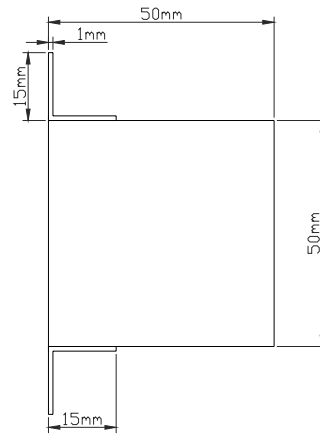


Appendix 4 (MIC dimension)



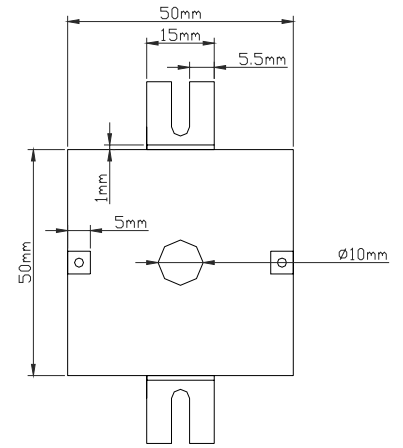
FRONT VIEW

SCALE 1 : 2



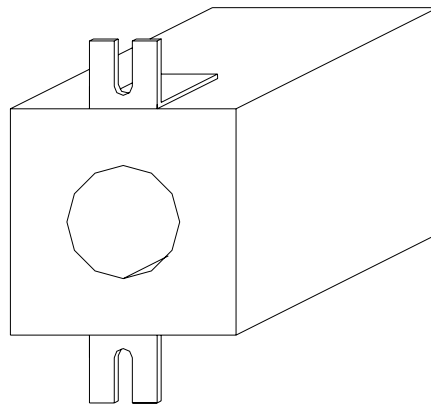
SIDE VIEW

SCALE 1 : 2



BACK VIEW

SCALE 1 : 2



3-D VIEW

SCALE 1 : 1
