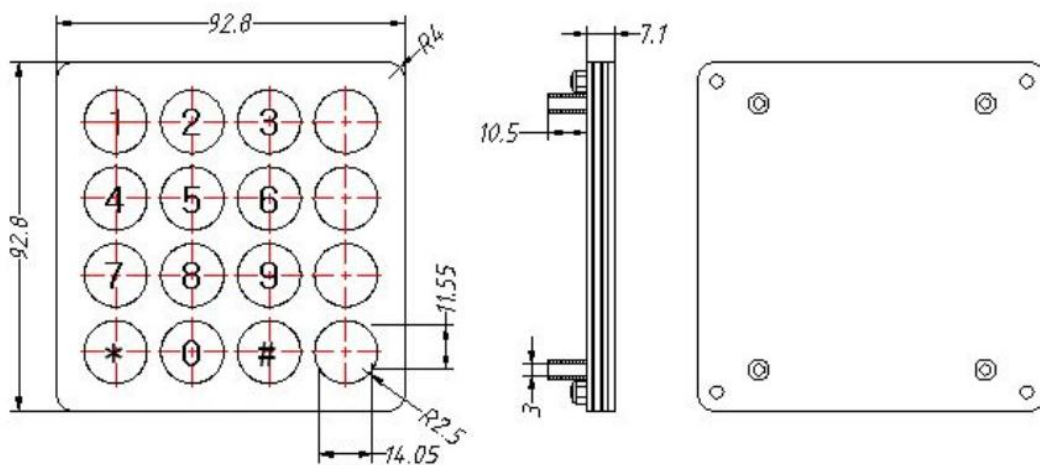


# KP1 introduction

**Product Name:** Keypad with 16keys  
**Product model:** KP1





HONGKONG KOON TECHNOLOGY LTD

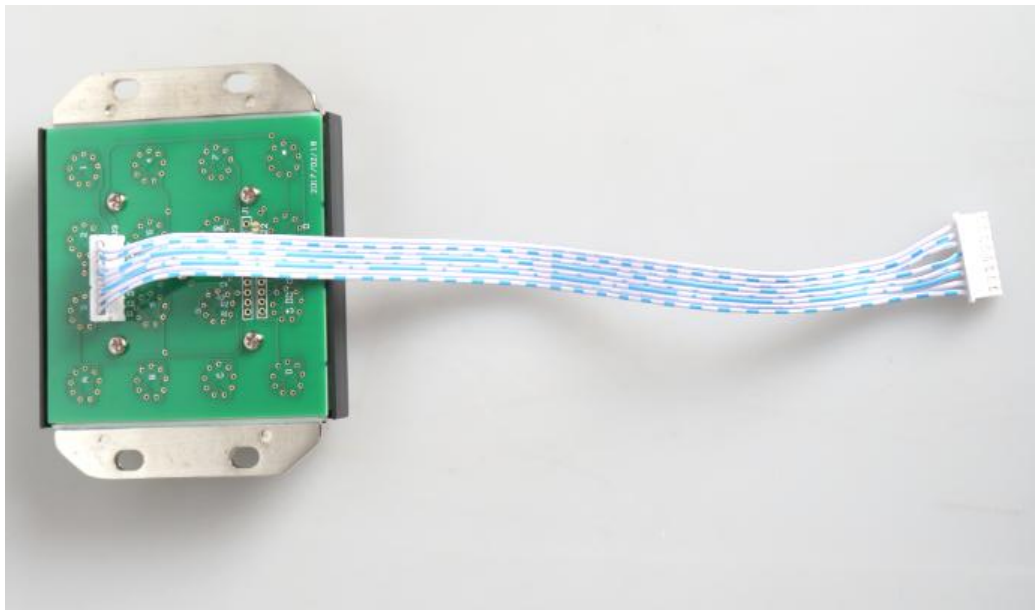
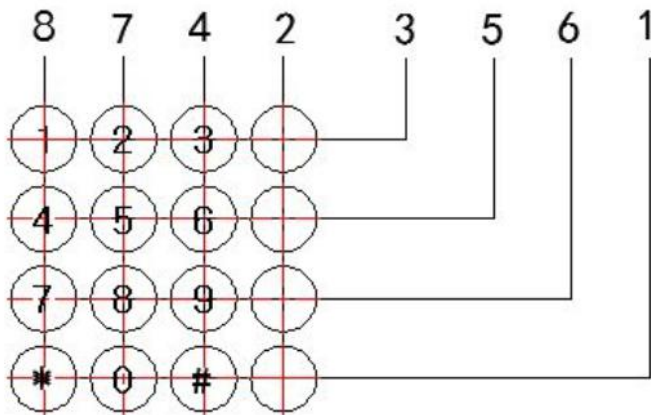
Factory: 6th/f, 268# factory, Nanchang Ind.park, Gushu, Baoan Shenzhen China

T: +86755 27448753

F: +86755 29790278

www.koontech.com

www.hksosphone.com



Professional Vandalproof keypad

1.Stroke: < 3mm

2.The key and frame uses zinc alloy

3.Key pads conductive rubber has adopted silicon rubber

4.Connector is 10 pin

5.The Key 5 has a small convex dot for blind person

6.Identification marking to use

7.Stroke time: 1 million above