



Analogue Loudspeaker answer phone SD-101

DESCRIPTION ITEM

1. Stainless steel 304 body for easy Installation.
2. Waterproof rating IP55 dust proof.
3. Hands-free, W loudspeaker.
4. Weather resistant to IP55 standard, service temperature range from -30 degree to +75degree.
5. Lightening protection to ITU-T recommendation K.21.
6. Support hotline calling. Support induction loop(optional).
7. Phone integrity wiring to enable the telephone system to check if the telephone unit is still Operational.(If PABX have this available we can provide this function).
8. Optional 7 minute time out to release the line if the handset is left off hook. (This function upon buyer's requirement).
- 9 . Application: Tunnel, metro, railway, LRT, speedway, marine, ship,offshore, mine, power plant, bridge etc.



SPECIFICATION

1. PSTN analogue telephone.
2. DTMF dialing.
3. MTBF: 100000 hours.
4. MTTR: 2 hours.
5. Connection: RJ11 screw terminal pair cable.
6. Applicable for various types of SPC exchange PABX and dispatching exchange system with feeding voltage of 33-60V.
7. Ambient temperature: -30 ~ +60 degree.
Atmospheric pressure: 86~106Kpa.
- Relative humidity: 10%~95%.
Circumstance noise: less than 60dB(A).
8. Sound level of ringing: over 70dB(A).
9. Standard frequency:
low frequency group: 697. 770. 852. 941Hz,
high frequency group: 1209. 1336. 1477Hz,
frequency deviation: -1.5% ~ +1.5%.
10. Call transmission index: (5KM)SLR<12,RLR<-1,STMR>10, output impedance is 600 Ohm.
maximum distance: 7KM.
11. Hotline setting (maximum length of each number is 16 digits).
12. Connection: RJ11 screw terminal pair cable (or RJ11 Socket of plug upon request).
with stainless steel cable protected.

CERTIFICATION

EMC: EN50121(Railway application-Electromagneticcompatibility)

EN55022: emissions

En55024: immunity

FCCITU-T Recommendations K21



PACKING

Unit size: 250*150*50mm

N.W:1.2KG

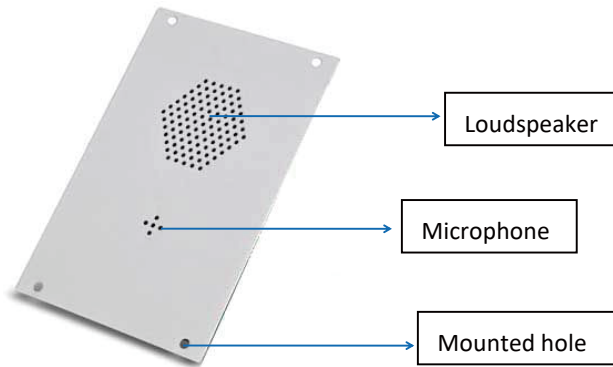
1pcs packing box size: 325*235*75mm

G.W:1.4KG

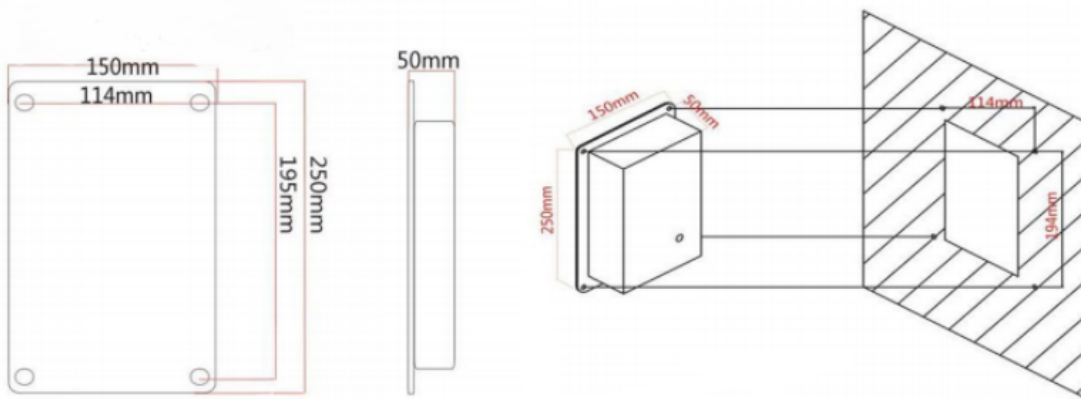
10pcs in 1 outer Carton box size: 566*445*420mm

G.W:15.3KG

Telephone layout



INSTALLATION



Web: www.koontech.com

Email: marketing@koontech.com

Tel: (HK Office) +852 9068 2799 / (Shenzhen Office) +86 755 2744 8753

Shenzhen Office: T3 1001, Yifang Center, Baoan, Shezhen, China

HK Office: Unit C, 2/F, Ka To Factory Building, 2 Cheung Yue Street, Cheung Sha Wan, Kowloon, Hong Kong

Factory: KNTech Building, Phoenix Mountain, Limhai Zone, Shajiao Community, Humen, Dongguan, China