



## KNPL-700M Desktop IP Microphone

KNPL-700 is a desktop office phone for industry customer. It is equipped with a handset and supports HD hands-free calling. With intelligent programmable DSS buttons, you can set up a one-click call function to improve communication efficiency, ten speed dial numbers available. It is compatible with the standard SIP2.0 protocol and can be used as a monitoring center or host for office manager with functions such as make calls for external & internal phones, two-way intercom, monitoring, and broadcasting. The KNPL-700 improves the management efficiency and emergency response capabilities.

### Highlights

- ☑ 6 SIP lines, 3-way conference
- ☑ HD audio on speakerphone and handset
- ☑ Movable type Directional External Gooseneck Microphone
- ☑ 4.3" main color display, 2x3.5" side color displays for DSS keys
- ☑ Up to 106 DSS keys(42 tri-colored physical keys)
- ☑ Dual Gigabit ports, integrated PoE
- ☑ Stand with 2 adjustable angles of 40 and 50 degrees
- ☑ With gooseneck microphone
- ☑ Compatible with major platforms: KNTech, Asterisk, Broadsoft, 3CX, Metaswitch, Elastix, Avaya etc.

Angle



50°



Model	Screen	Network	PoE	Power adapter
KNPL-700M	4.3" color-screen	10/100/1000 Mbps	✓	—

### Generic

- 6 SIP Lines
- HD Voice
- Support receiving Video call
- POE Enabled
- Handset / Hands-free / Headset mode
- Intelligent DSS Keys
- Optional External Power Supply

### Phone Features

- Local Phonebook
- Remote Phonebook (XML/LDAP, 2000 entries)
- Call logs (In/out/missed, 1000 entries)
- Black/White List Call Filtering
- Screen saver
- Voice Message Waiting Indication (VMWI)
- Programmable DSS/Soft keys
- Network Time Synchronization
- Support KNTech EHS Cable
- Support Recording (Through Server Recording)
- Action URL / Active URI

### Call Features

- Call out / Answer / Reject

- Mute / Unmute (Microphone)
- Call Hold / Resume
- Call Waiting
- Intercom
- Caller ID Display
- Speed Dial
- Anonymous Call (Hide Caller ID)
- Call Forwarding (Always/Busy/No Answer)
- Call Transfer (Attended/Unattended)
- Call Parking/Pick-up (Depending on server)
- Redial
- Do-Not-Disturb
- Auto-Answering
- Voice Message (On server)
- 3-way Conference
- Hot Line
- Hot desking
- With gooseneck microphone

### Audio

- HD Voice Microphone/Speaker (Handset/Hands-free, 0 ~ 7KHz Frequency Response)
- HAC handset
- Wideband ADC/DAC 16KHz Sampling

- Narrowband Codec: G.711a/u, G.723.1, G.726-32K, G.729A/B
- Full-duplex Acoustic Echo Canceller (AEC)
- Voice Activity Detection (VAD) / Comfort Noise Generation (CNG) / Background Noise Estimation (BNE) / Noise Reduction (NR) / Automatic Gain Control (AGC)
- Packet Loss Concealment (PLC)
- Dynamic Adaptive Jitter Buffer up to 300ms
- DTMF: In-band, Out-of-Band – DTMF-Relay(RFC2833) / SIP INFO

## Networking

- Physical: 10/100/1000 Mbps Ethernet, dual bridged port for PC bypass
- IP Mode: IPv4/IPv6/IPv4&IPv6
- IP Configuration: Static / DHCP / PPPoE
- Network Access Control: 802.1x
- VPN: L2TP / OpenVPN
- VLAN
- LLDP
- QoS
- RTPC-XR(RFC3611), VQ-RTCPXR(RFC6035)

## Protocols

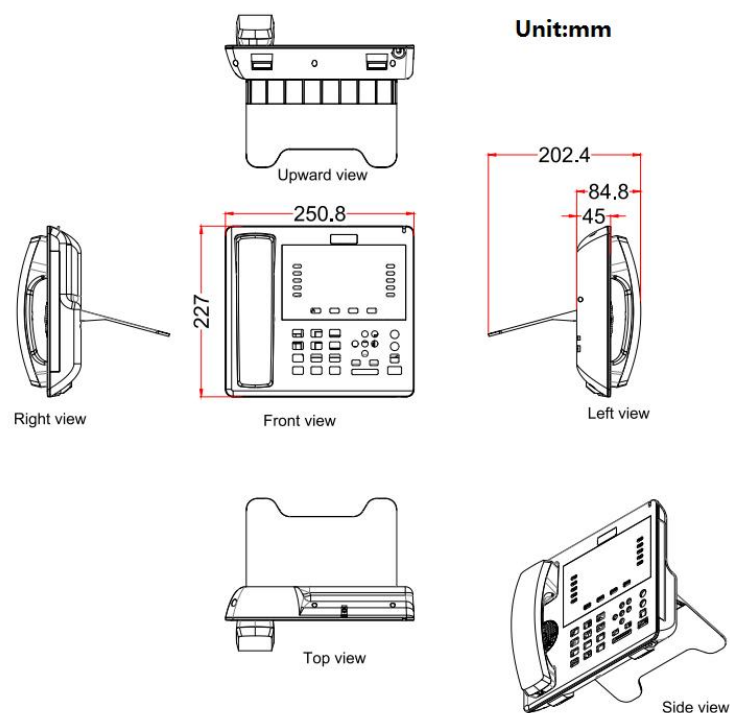
- SIP2.0 over UDP/TCP/TLS
- RTP/RTCP/SRTP
- STUN
- DHCP
- IPv6
- LLDP
- PPPoE
- 802.1x
- L2TP
- OpenVPN
- SNTP
- FTP/TFTP
- HTTP/HTTPS
- TR-069
- AES128 & AES256

## Deployment & Maintenance

- Auto-Provisioning via FTP/TFTP/HTTP/HTTPS/DHCP OPT66/SIP PNP/TR-069
- Web Management Portal
- Web-based Packet Dump
- Configuration Export / Import
- Phonebook Import/Export
- Firmware Upgrade
- Syslog

## Physical Specifications

- Main LCD x1: 4.3 inch (480x272) color-screen LCD
- Keypad: including
  - 4 Soft-keys
  - 6 Function keys (Hold, Call forward, Phonebook, MWI, Headset, Redial)
  - 4 Navigation keys
  - 1 OK key
  - 1 Return key
  - 12 Standard Phone Digits keys
  - 3 Volume Control keys, Up/Down/Mute(Microphone)
  - 1 Hands-free key
- HD Handset (RJ9) x1
- Standard RJ9 Handset Wire x1
- 1.5M CAT5 Ethernet Cable x1
- Back Rack x1
- RJ9 Port x2: Handset x1, Headset x1
- RJ45 Port x2: Network x1, PC x1 (Bridged to Network)
- USB2.0 Port x1: Standard A
- DC Power Input: 5V/2A
- Power Consumption (PoE): 2.6~ 9W
- Power Consumption (Adapter): 2.4~8W
- Working Temperature: 0~45℃
- Working Humidity: 10~95%
- Installation: Desktop Stand
- Color: Dark gray
- Device Dimensions
  - Desktop Stand (Angles 1): 309 x 214 x 187mm
  - Desktop Stand (Angles 2): 309 x 226 x 167mm
- Gift Box Dimensions: 323 x 301 x 71mm
- Outer CTN Dimensions: 624 x 383 x 348mm (10 PCS)



## KNPL-700 Key Function



The above specifications may be updated in the future without prior notice. All hardware/software/physical features should be based on the final shipped products.