

## Features:

- Analogue telephone matching with most PABX, PBX and PAX system
- Robust body vandal resistant
- Busy tone detection for auto release the line if line busy
- Dry contact for external control automation
- Auto answer
- Full Soft lock: only dial out from phone book 50 memory address number
- Half soft lock: limit to dial out starting number, e.g. "00852" area code
- High temperature approval
- Ring sound 95 dB dfd in 1 m and 10 ringing tone melodies selectable
- Listening by loudspeaker: 70dB in 1m
- Phone book memory: 50 address ( name & number) programmable
- Stainless steel keypad for dial and manuel
- Magnetic reed hook-switch
- Telephone line powered. No external power or battery required




## LCD display include:

- Manu setting
- Welcome text programmable e.g: welcome to koontech telephone
- Full soft lock or half soft lock
- Phone book up to 50 address number selectable
- Ring speaker up to 4 level selectable
- Hands free talking sound up to 4 level selectable
- Handset receiver sound up to 4 level selectable
- Up to 9 Ring tone melodies selectable
- Back light up to 4 level selectable
- The dialing number
- Calling time counting


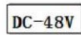

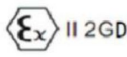


Model Number: KNEX1

## Certificate:



Explosion-proof Telephone  
 Model:KNEX1  
 Ex e ib mb IIc T6 Gb  
 Ex tb IIIc T80°C Db -25°C ≤Ta≤+60°C  
 CQM XXX  
 IECEx XXXX  
 CE I4 XXXXXX  
 ShenZhen Xijun Technology Ltd  
 6/F 268# Nanchang ind. park Gushu Baoan  
 Shenzhen China  
 2012 s/n 001

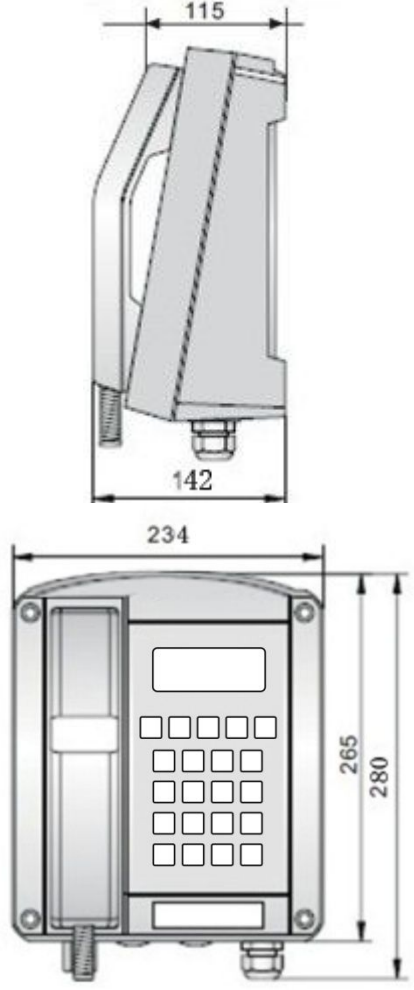









**Specification:**

Unit dimension	227 x 293 x 135mm
Unit Weight	5.8kg
LCD Display:	2 line alphanumeric display ICON or number or letter Up to 4 level back light selectable
Keypad	stainless steel flash mount Waterproof IP66. Ice protection 21 keys with number and ACE letter for program
Handset:	dynamic receiver with inductive coupling for hearing aids Electret type microphone with noise cancelling Stainless steel armoured handset hold over 170kg
Waterproof protection	IP66
Impact protection:	IK09
Call Flash transfer:	max:120ms
Dialling procedure:	DTMF
External function:	external louder speaker additional earpiece ringl sounder
operation temperature:	-25°C to 60°C
Storage temperature:	-30°C to +70°C



**Factory Photo:**

