



D8-DZ1 Industrial LED Beacon

Description .

D8 LED beacon with 72pcs high brightness LED lamp and intelligent IC control function, shade with focus function, more flash brightness, better quality, running stabler. Used in electrical power, telecommunications, machine tools, shipbuilding, printing, mining machinery and other equipment for indication signal, notice the signal, accident signal.

Product Parameter

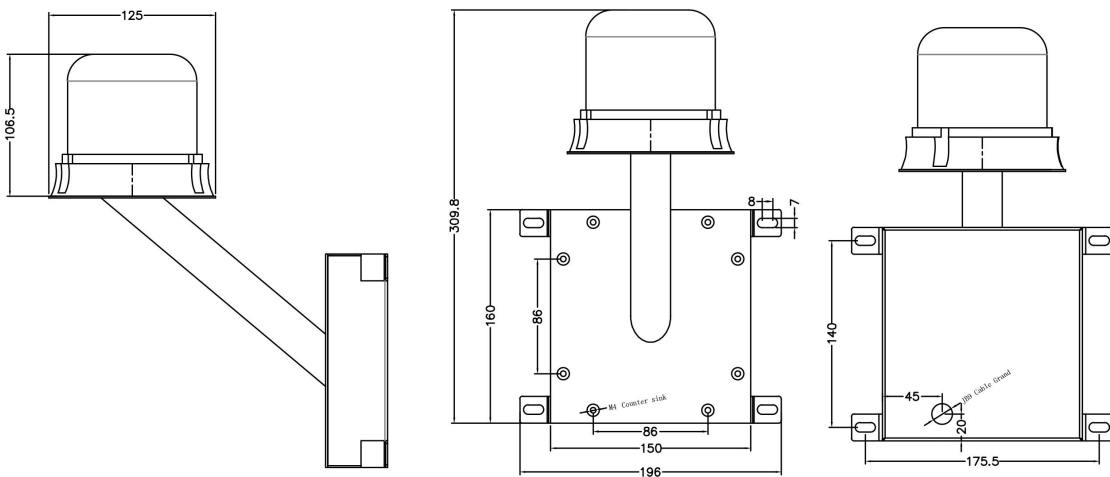
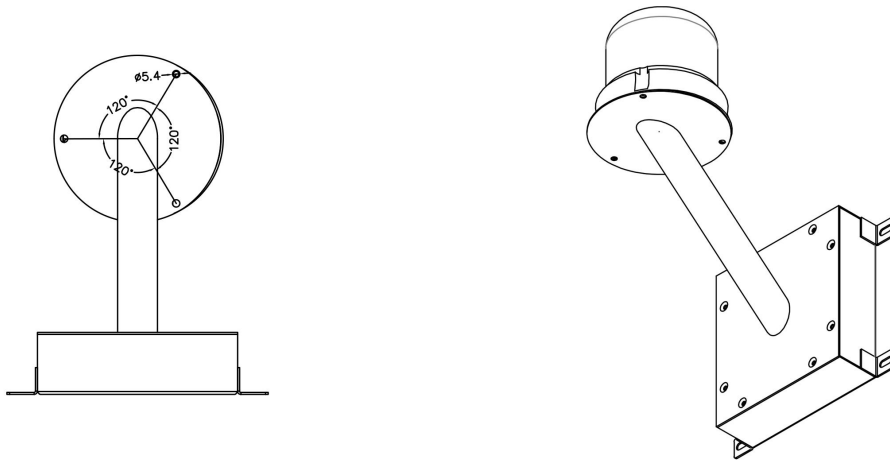
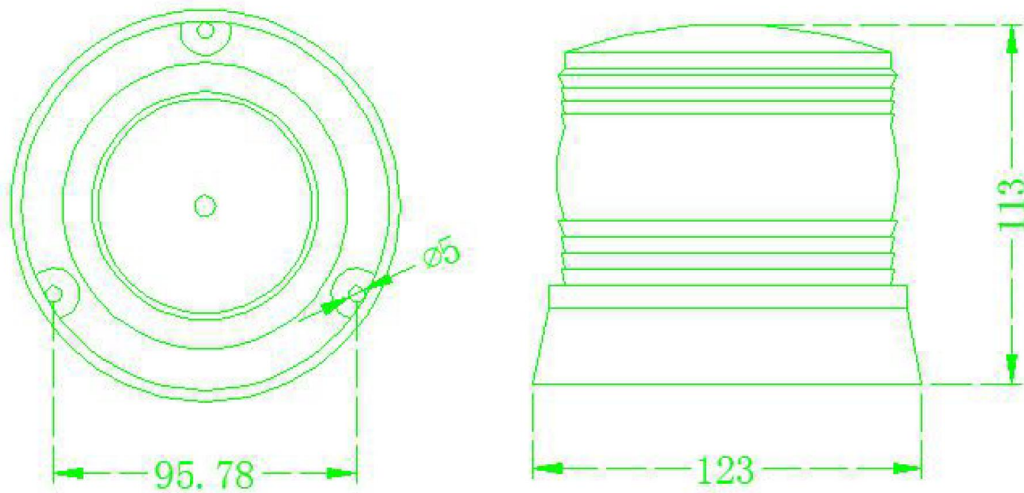
D8	Operating Mode: Strobe
Power Consumption: 6W	Material: Import highly transparent Carbonate Material
Voltage: DC 12V	Fix type: Screw type + Magnetic
Operating Temperature: -30°C-60°C	IP rating :IP53
Color Optional: Red, Blue, Yellow, Green	D123mm*H113mm
Lamp Beads: Φ 5 straw hat lamp LED	Dimension: D123mm*H113mm

DZ1

Weight: 3.3 kg

Notes: Handle and Installment with Care

Dimensional Drawing



Application

