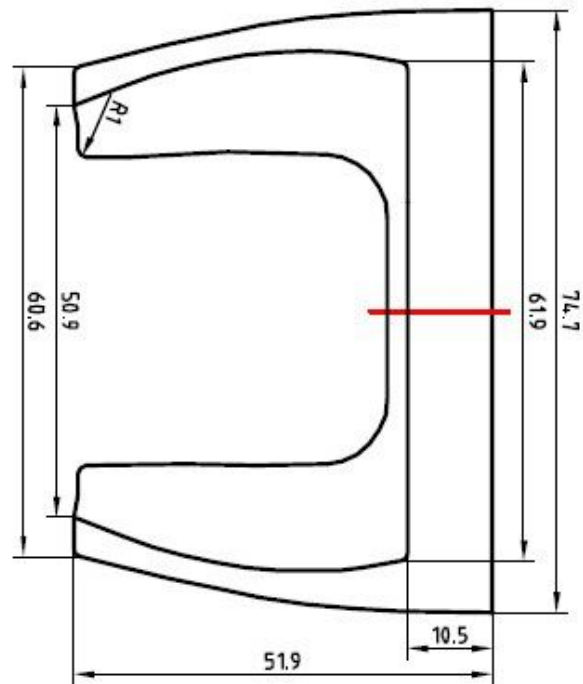
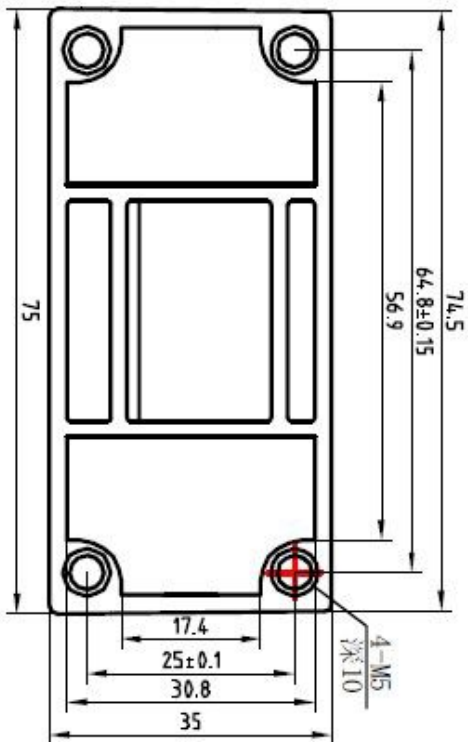
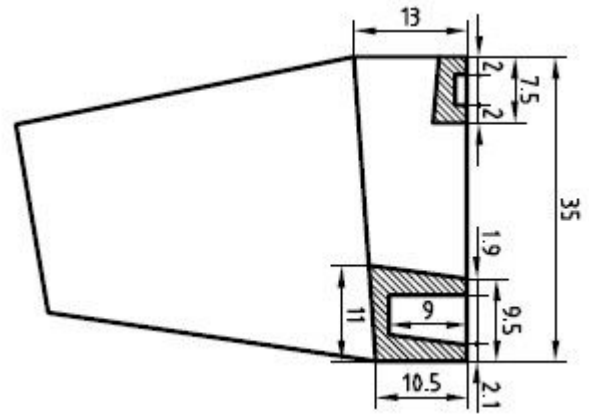


Model: H 2



1) Product Introduction

The hook adopts high-quality materials, the surface copper, nickel, chrome plated, can be a good anti-corrosion, anti external damage, to ensure its excellent performance. Our Hook is suitable for outdoor public telephones.

2) Standard

GB/15279-94 Automatic telephone technology conditions

YDN109-1998 (chapter 4) IC card telephone technical requirements and test methods

3) Conditions of using

Service Environment: -25~55°C

Relative humidity: 10%~95%

Atmospheric pressure: 96~108KPa

4) Main structure parts:

a. 600 # hanging for zinc aluminum casting, polishing chromium plating on the surface processing, good appearance

b. Hang tongue for zinc aluminum casting, polishing chromium plating on the surface processing, good appearance

c. Selects the high quality of universal switch, on resistance $\leq 0.1 \Omega$, cable length L: 150

5) Insulation resistance

In the switch between lead wires and metal shell, with TH2681A insulation resistance tester tests (DC 250 v, insulation resistance $\geq 50M \Omega$)

6) Withstand voltage

In the switch between lead wires and metal shell, with ET2670A hipot tester tests, shall meet the following requirements:

(AC1600V/50Hz/1min, Leakage current $\leq 0.5Ma$) . And there is no flashover or breakdown phenomenon.