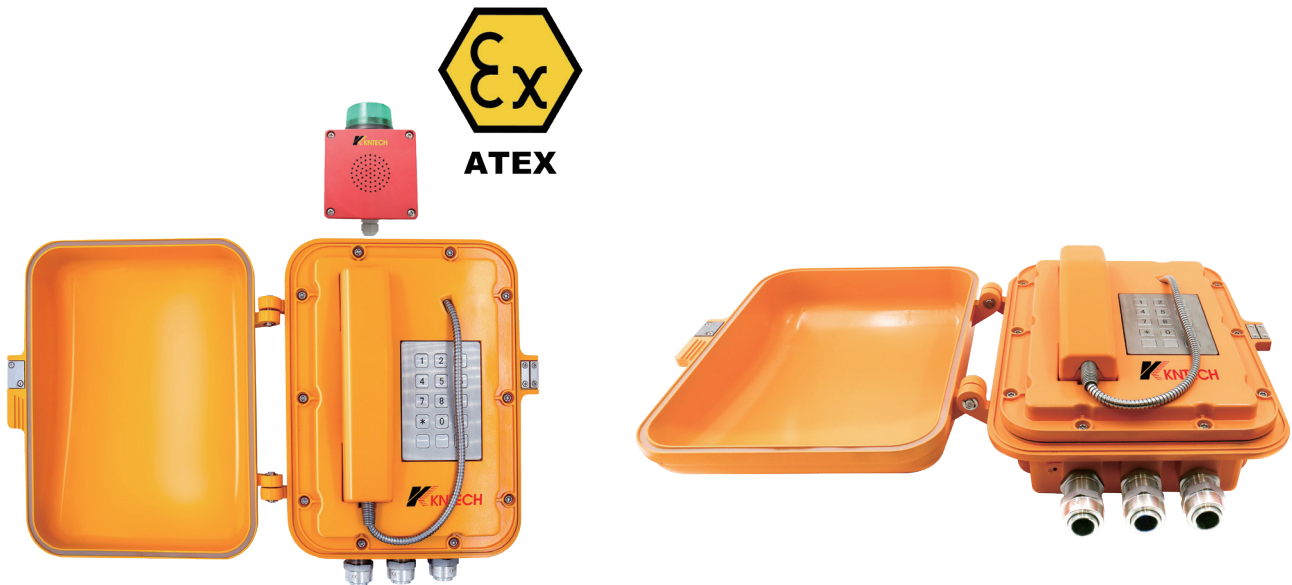


## Explosion Proof Telephones

Model: KNEx7 VoIP



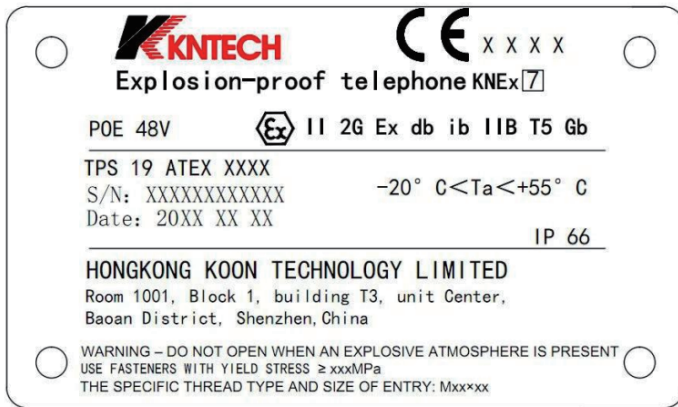
IP Telephone Explosion Proof Telephone

### Key Functional Features & Benefits

- Robust aluminium alloy die-cast body, Vandal & tamper-resistant hardware.
- Waterproof rating IP66 dust proof.
- Full keypad with memory, dialling 10 groups of numbers stored in the memory.
- Magnetic reed hook-switch.
- Heavy Duty handset with hearing Aid compatible receiver, Noise canceling microphone.
- Handset with industrial strong curly cord .
- Stainless Steel keypad keep waterproof and dusty proof.
- With external safety ring indicator D20 with 8Q 0.5W and LED 5Vd.c.,0.75W.
- Door cover: orient automatically and good self - closing, convenient for use.
- Temperature range from -20 degree to +55 degree.
- Support echo cancellation.
- Powder coated in UV stabilized polyester finish.
- Application: Hazardous dust and gas atmospheres, petrochemical industry, Tunnel, metro, railway, LRT, speedway, marine, ship, offshore, mine, power plant, bridge etc.

## Specification

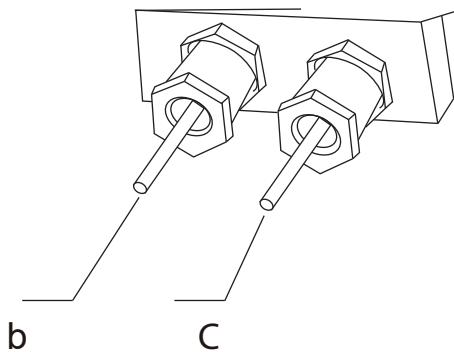
Parameter	Description
<b>Safety &amp; Certification</b>	
Protection Class	<ul style="list-style-type: none"> <li>IP66 Protection: Dust-tight &amp; protected against powerful water jets</li> <li>Explosion-proof Certification: I2G Ex db ib IIB T5 Gb (for hazardous environments)</li> </ul>
Reliability Metrics	<ul style="list-style-type: none"> <li>MTBF 100,000 hours: Mean Time Between Failures</li> <li>Ambient Noise: &lt;60dB(A) (industrial-grade quiet operation)</li> </ul>
<b>Electrical Characteristics</b>	
Power Parameters	<ul style="list-style-type: none"> <li>Power Supply: PoE 802.3af (Power over Ethernet)</li> <li>Auxiliary Contacts: 1× dry contact output, rated load 0.3A@125VAC / 1A@30VDC</li> </ul>
Switching Performance	<ul style="list-style-type: none"> <li>Max. Switching Voltage: 125VAC / 30VDC</li> <li>Max. Switching Current: 1A (relay-compatible)</li> </ul>
<b>Network &amp; Communication</b>	
Protocol Support	<ul style="list-style-type: none"> <li>Core Protocols: IPv4, UDP, SIP 2.0, DHCP</li> <li>Security Protocols: IEEE 802.1x Network Access Control, HTTPS remote management</li> </ul>
Audio Codecs	<ul style="list-style-type: none"> <li>Standards: G.711 (PCM), G.722 (wideband), G.729 (compression)</li> <li>DTMF Transmission: RFC 2833 in-band signaling</li> </ul>
Network Interfaces	Physical Ports: RJ45 connectors, 10/100Base-TX, Cat5e cable
<b>Structural &amp; Physical Parameters</b>	
Mechanical Design	<ul style="list-style-type: none"> <li>Material: Aluminum alloy die-cast body (impact/corrosion-resistant)</li> <li>Dimensions: 349×279×161mm</li> <li>Weight: 10.65kg (compact industrial design)</li> </ul>
Environmental Adaptability	<ul style="list-style-type: none"> <li>Temperature Range: -20°C to 55°C</li> <li>Humidity: 10%~95% non-condensing</li> <li>Atmospheric Pressure: 86~106kPa (high-altitude compatibility)</li> </ul>
<b>Functionality &amp; Performance</b>	
Voice Processing	<ul style="list-style-type: none"> <li>Echo Cancellation: G.167/G.168 standard (bi-directional noise reduction)</li> <li>Ringing Sound Level: &gt;90dB(A)@50cm (high-intensity alert capability)</li> </ul>
Programmability	<ul style="list-style-type: none"> <li>Memory Function: 3 groups of speed-dial presets</li> <li>Configuration Methods: Web GUI, non-volatile flash storage, remote auto-upgrade</li> </ul>
<b>Special Notes</b>	
Hazardous Environments	I2G Ex certification for chemical/oil & gas scenarios
Industrial Protection	IP66 prevents dust/high-pressure water ingress



### KNTECH's Partners



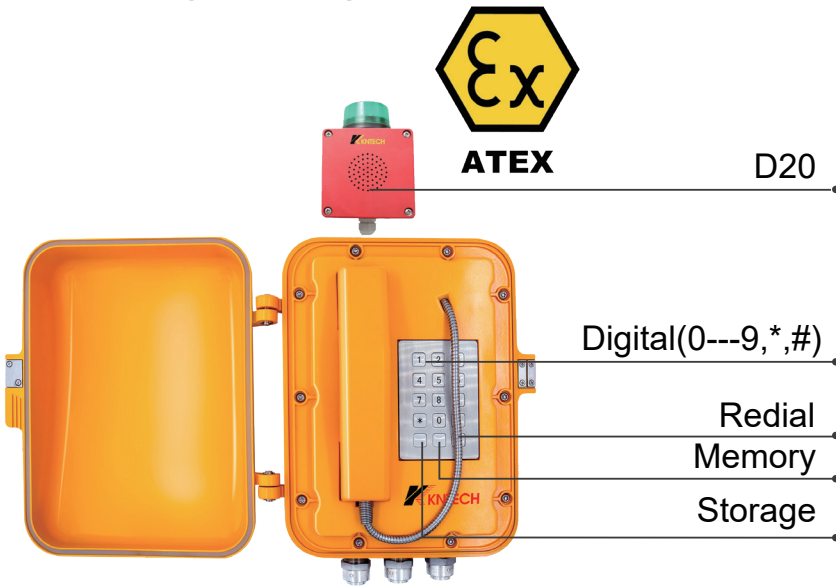
### Interface Connection Schematic Diagram



b : Network cable above cat 5

c : Headset and D20 ringtone 8ohm 0.5W and LED DC5V/0.75W and explosion proof horn connection cable(option:8-core wire)

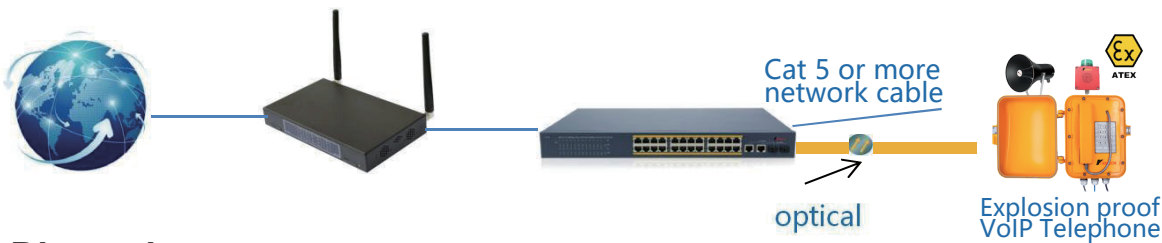
## User Programming



pick up the Handset, press the keyboard  
storage key+address key (digital 0 --- 9)  
+phone number+storage key, and then hang up.

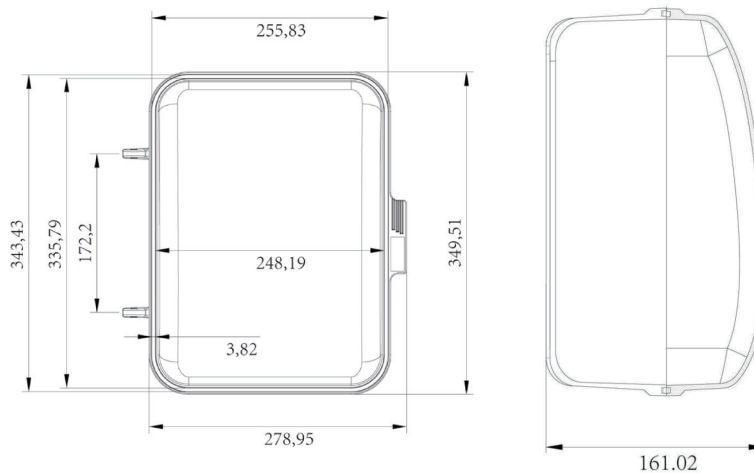
## Network Connection

Connect the IP machine to the company's IP telephony network system. Before connecting to the network, check whether the network system is working properly. Direct network connection - In this way, you need at least one Ethernet port in your work place. Connect the LAN port to the Ethernet port of your workspace using the Ethernet cable on the back of the phone.



## Dimensions

Unit: mm



Web: [www.koontech.com](http://www.koontech.com)

Email: [marketing@koontech.com](mailto:marketing@koontech.com)

Tel: (Shenzhen Office) +86 755 2744 8753 / (HK Office) +852 9068 2799

Shenzhen Office: 1001 Block A Building T3, Yifang Center, Bao'an, Shenzhen, Guangdong, China

HK Office: Unit C, 2/F, Ka To Factory Building, 2 Cheung Yue Street, Cheung Sha Wan, Kowloon, Hong Kong

Factory: KNTECH Building, Phoenix Mountain, Limhai Zone, Shajiao Community, Humen, Dongguan, China