



Door Phone KNZD-68

The three reasons to choose Kntech

The best manufacturer for industrial telecommunication door phone system!

Less than a half price of other businesses!

24X7 hours on line quick services!



Model: KNZD-68

The VoIP Intercom / door phone will be designed to work on apartment, hospital, school, metro...Housed. FDSP ensure voice loud and clear. Good looking, durable, easy to install, comfortable buttons, and low power consumption. High durability, anti-oil, anti-acid, anti-alkali, strong anti-oxidant in line.

Web Business Management

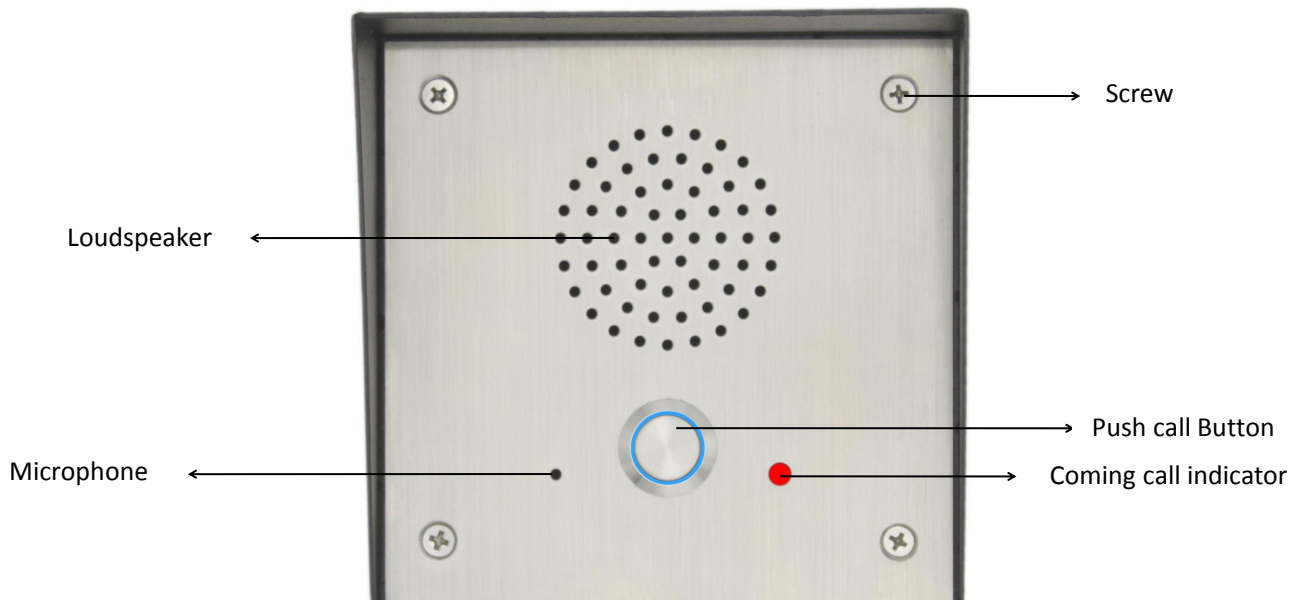
It is mainly used for remote management KNZD-68 voice access device, which includes such features as the device parameter management, access control parameter settings, log management.



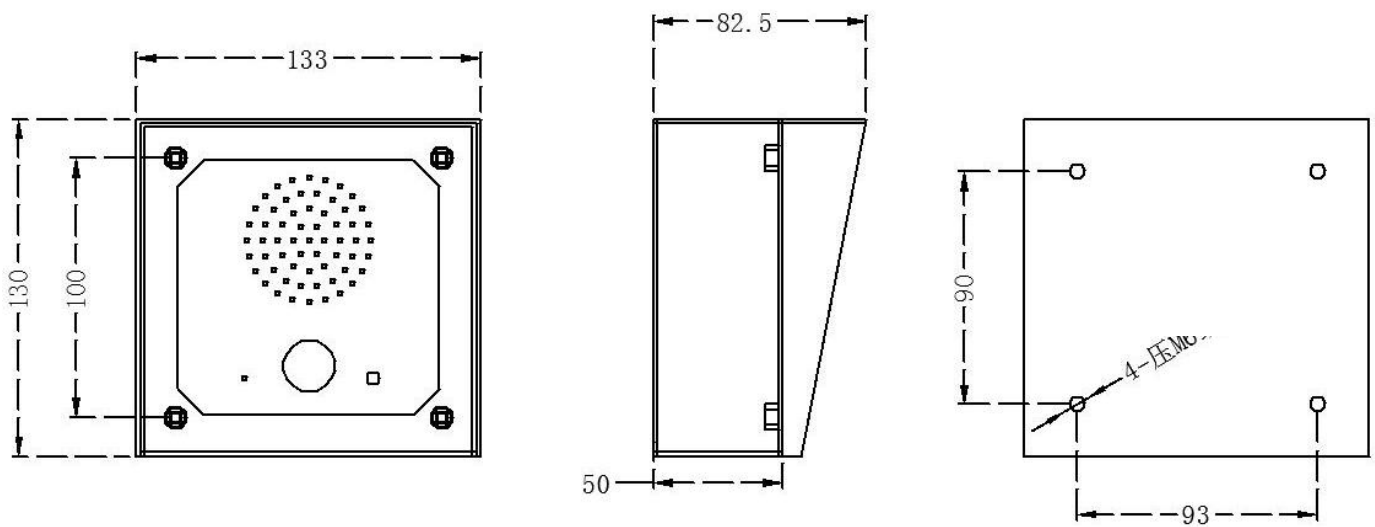


VoIP information

- Support G.711,G.729, etc. Codec voice intercom
- Support SIP 2.0(RFC3261) and related RFC protocol
- Unlock function (swipe or communication) Visitor leave message
- Software upgrading on line or status



Mounting Size



Basic Functions

WEB remote management of Terminal malfunction
 Calling indoor extension for two-way conversation
 Support SIP 2.0(RFC3261) and related RFC protocol

Communication protocol		SIP 2.0(RFC-3261)
Master Chip		Broadcom 1190
Keys	Design	Stainless steel and illuminated
	Direct-button	1
	Numeric Keypad	Optional
Voice	Microphone	1
	Amplifier	0.5W-10W
	Speaker	2W
	Volume Control	Adjustable
	FDSP	Support(AEC)
Voice stream	Supportable Protocol	RTP/RTSP
	CODEC	G.711, G.729
Port	Power Supply	12V+-15%/1A DC or PoE
	PoE	PoE 802.3af (Class 0 - 12.95W) 48V/380mA
	LAN	10/100BASE-TX s Auto-MDIX, RJ-45)
	Cables	HSYV or better
	Passive Switch	Normally Open and Normally Closed highest at 30V/1A AC/DC
	Active Switched Output	12V/500mA DC
	Rs232	Supported
Interface	Power supply	Standard PoE or 12V+-15%/1A DC option
	PoE	PoE 802.3af(Class 0-12.95W)
	LAN	10/100BASE-TX s Auto-MDIX,RJ-45
	Recommended cabling	Cat-5e or higher
	Passiveswetch	NO and NC contacts,up to 30V/1A AC/DC
	Actice switch output	12V/700mA DC
Structure	Shell Material	Cold Rolled Steel
	Phone Panel	SUS304 stainless steel panel
	Operating Temperature	-40 C to 55 C
	Working Condition Relative Humidity	10%-95%
	Storage Temperature	-40 C to70 C
	Installation	Wall mounting type
	Waterproof degree	IP65
	Mounting screws	M6 * 16 round tamper screw / each phone 4screw
	Size	133 * 130 * 82.5mm (size can be customized MOQ50)

Access Control

Access control is consist of KNZD-68 voice access control, exclusive DC power supply and electric lock. Inside of KNZD-68, self-powered electric lock can directly drive the starting current of 500mA power locks. Additionally you can also access exclusive external DC power supply and the voice access output control signals to drive electric lock on and off by access exclusive DC power.

Intercom Function

KNZD-68 voice intercom system consists of KNZD-68 access control, SIP phones, phones installed SIP soft-terminal, IPPBX. KNZD-68 Voice Access supports standard SIP protocol, and has good system compatibility with main IPPBX in the market.

IP door phone

Intercoms for every situation-whether in security, business, emergency or any other special area. From providing simple applications requiring a clear and easy connection to a single IP telephone to comprehensive communication arrangements integrated into security and signalling system and IP PBXS. Having the highest quality, certification and ensures compatibility with industry-standard-based IP network solutions such Avaya, Cisco, and others.

Analogue version(Optional)

Powered by telephone line use of Teflon wire line with military standards GJB-773 and UL1332 requirements.

One-push button with illuminated press to call.

Coming call indicator.

Automatically release the line after the other part is hangup.

With relay switch for monitoring electric (switch) lock.

Support Call time limit.

Pulse dialing: Dial pulse intermittent ratio: $1.6 \pm 0.2:1.0$

Dial Pulse Speed: 10 ± 1 times / sec.

Dual Tone Multi-Frequency (DTMF) dialing.

Related Models



KNZD-43A



KNZD-47L Alarm



KNZD-21V Video



KNZD-51 RFID



KNZD-42, KNZD-42VR



KNZD-47 Video



KNZD-43



KNZD-45

