



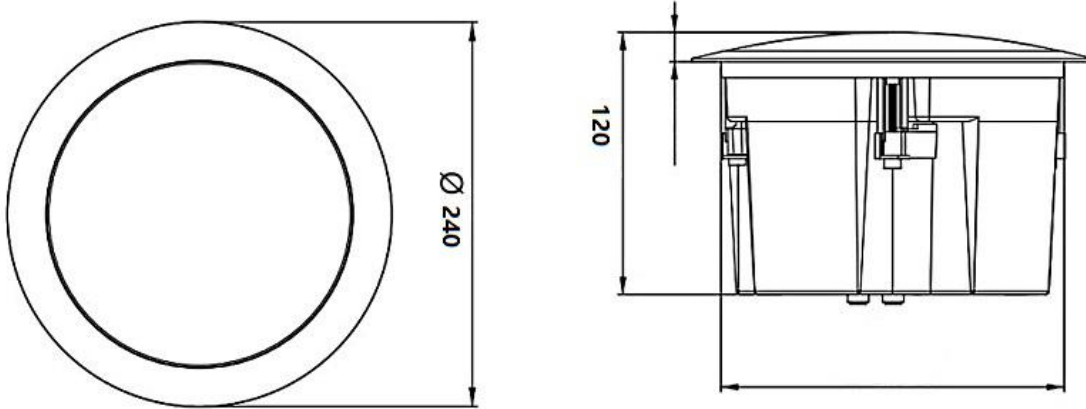
Ceiling Loudspeaker

Model :L9-6W

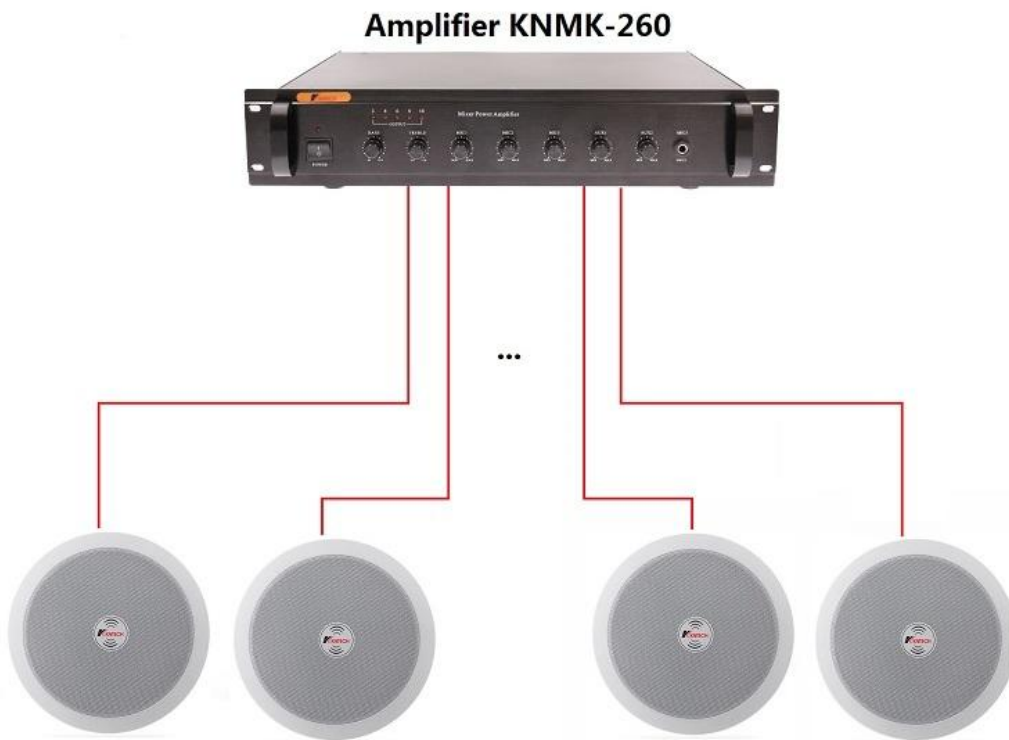
SPECIFICATION

Freq.Range:	80- 18KHz(- 10dB) SPL(1W/M):105±3dB Rated SPL:125±3dB
Impedance:	8 Ohm
Input Power:	6W
Mounting:	Mounting:
Audio Port:	2 Pin Terminal Audio Input
M& Finish:	Aluminum/White Powder Painting
IP Level:	IP55
SIZE :	Φ 240*120 m m
Weight :	3 Kg
Inner packing box:	290*210*285 G.W 2.8kg 1pcs packing
G.W.	2.8kg 1pcs packing
Packing:	740 * 275 * 545 M M G.W. 22KG 8pcs in one big box.

SIZE:



How to connect:



More View:

