



**VOIP KNZD-45A Robust Intercom**

**DESCRIPTION ITEM NO.ZD45A0022**

1. Robust aluminium alloy die-cast body stainless steel face plate
2. Waterproof rating IP55 dust proof.
3. LED indicator for incoming call.
4. Hands-free button, double loudspeaker.
5. Lightning protection to ITU-T recommendation K.21.
6. POE power supply or DC12V.
7. Temperature range from -40 degree to +70 degree.
8. Support standard Session Initiation Protocol(SIP), RFC 3261.
9. Calling indoor extension for two-way conversation.
10. Support echo cancellation.
11. Remote software upgrade, configuration and monitoring.
12. Optional 7 minute time out to release the line if the other hand hang up.This function upon buyer's requirement).
13. The housing covered with a layer of reflective label for easy identification at night.Optional
14. Application: Tunnel, metro, railway, LRT, speedway, marine, ship,offshore, mine, power plant, bridge etc.



## SPECIFICATION

VoIP SIP2.0 telephone

DTMF dialing

Audio Codes:G.711, G.722, G.729

MTBF:100000hours

MTTR: 2 hours

Network:10/100 BaseTX Ethernet, RJ45

Hotline(maximum length of each number is 16 digits)

connectors, Cat5e or better

Communication: Full duplex 2-way hands-free communication

IP Protocols:IPv4, TCP, UDP, TFTP, RTP, RTCP, DHCP, SIP

Call Control Signaling:VOIP SIP Info(DTMF), RFC 2833(DTMF)

LAN Protocols:Power over Ethernet(PoE,802.3af), WLAN(IEEE 802.3af), Network Access

Power:Power over Ethernet, IEEE802.3af, Class 0

Control(IEEE 802.1x),STP(IEEE 802.1d),

Local power, 12VDC,Idle 2W, Max 10W

RSTP(IEEE 802.1d-2004)

Auxiliary Contacts:1 Aux Output, dry contact

Programming:Non-volatile flash memory

Contact Ratings. Load: Resistive load

programming and configuration through Web GUI

Rated load:0.3 A at 125 VAC; 1 A at 30 VDC

Management and Operation:DHCP and static IP,

Rated carry current:1A

remote automatic software upgrade, centralized

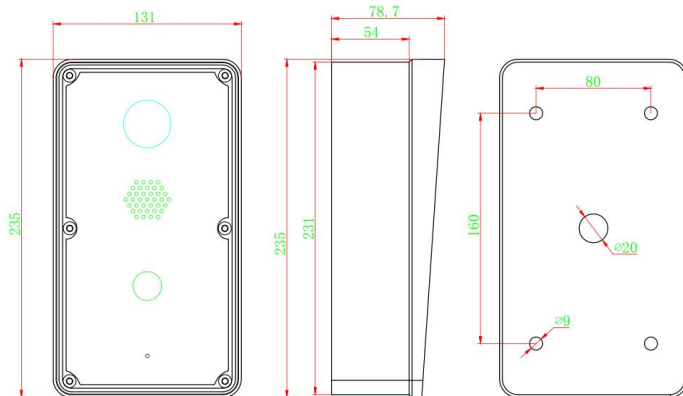
Max.switching voltage:125 VAC,60VDC

monitoring, status LED

Max.switching current:1A

Echo cancellation code:G.167/G.168

## INSTALLATION



## CERTIFICATION

RCM: AS/NZS CISPR 32

Australian communications:AS/CA S004

Australian Equipment-safety: AS/NZS 60950.1:2015

EMC: EN50121(Railway application-Electromagnetic Compatibility)



RoHS

## PACKING



Unit size:235\*131\*78.7mm

Unit: N.W:1.5KG

1pcs packing box size: 330\*180\*110mm

Unit N.W:1.5KG Unit G.W:2.06KG

2pcs in 1 outer Carton box: size: 350\*240\*190mm N.W:3KG G.W:4.72KG



HONGKONG KOON TECHNOLOGY LTD

TEL:0086755 29790158/27448753 Fax:0086755 29790278  
Email:marketing@koontech.com www.koontech.com