



VoIP KNZD-07B auto dial Telephone

DESCRIPTION ITEM NO.ZD07B0022

1. Metal body. Mechanical hookswitch.
2. Autodial when phone is picked up.
3. The speed-dial number can be optionally set or changed by keypad and its very easily operated.
5. Tally with the full function of the common telephone
6. Wearable, waterproof, moisture proof, Vandal resistant and tamper-resistant hardware
6. Lightening protection to ITU-T K.21
7. Handset integrity wiring to enable the telephone system to check if the telephone unit is still operational.
8. Selectable 7 minute time out
9. Stainless steel keypad withstands high loads.
10. The stainless steel armoured handset cord is manufactured to withstand high tensile forces.

Application Examples:

As Public telephone for indoor or outdoor, Taxi or bus stands or station, Highway call box
Railway, metro, ATM machines side, Tunnel, Port, Dock, Mines, Generation facilities...
A good ideal telephone for use in wet or corrosive atmospheres



SPECIFICATION

VoIP SIP2.0 telephone	DTMF dialing	Audio Codes:G.711, G.722, G.729
MTBF:100000hours	MTTR: 2 hours	Network:10/100 BaseTX Ethernet, RJ45 connectors, Cat5e or better
Free dial(maximum length of each number is 16		IP Protocols:IPv4, TCP, UDP, TFTP, RTP, RTCP, DHCP, SIP
Communication: Full duplex 2-way hands-free communication		LAN Protocols:Power over Ethernet(PoE,802.3af), WLAN(IEEE 802.3af), Network Access Control(IEEE 802.1x),STP(IEEE 802.1d), RSTP(IEEE 802.1d-2004)
Call Control Signaling:VOIP SIP Info(DTMF), RFC 2833(DTMF)		Programming:Non-volatile flash memory programming and configuration through Web GUI
Power:Power over Ethernet, IEEE802.3af, Class 0 Local power, 12VDC,Idle 2W, Max 10W		Management and Operation:DHCP and static IP, remote automatic software upgrade, centralized monitoring, status LED
Auxiliary Contacts:1 Aux Output, dry contact		Echo cancellation code:G.167/G.168
Contact Ratings. Load: Resistive load		
Rated load:0.3 A at 125 VAC; 1 A at 30 VDC		
Rated carry current:1A		
Max.switching voltage:125 VAC,60VDC		
Max.switching current:1A		

CERTIFICATION

RCM: AS/NZS CISPR 32 Australian communications:AS/CAS004
 Australian Equipment-safety: AS/NZS 60950.1:2015
 EMC: EN50121(Railway application-Electromagnetic Compatibility)

**RoHS****PACKING**

Unit size:260*170*110mm

Unit: N.W:2.5KG

1pcs packing box size: 300 *200 *80mm

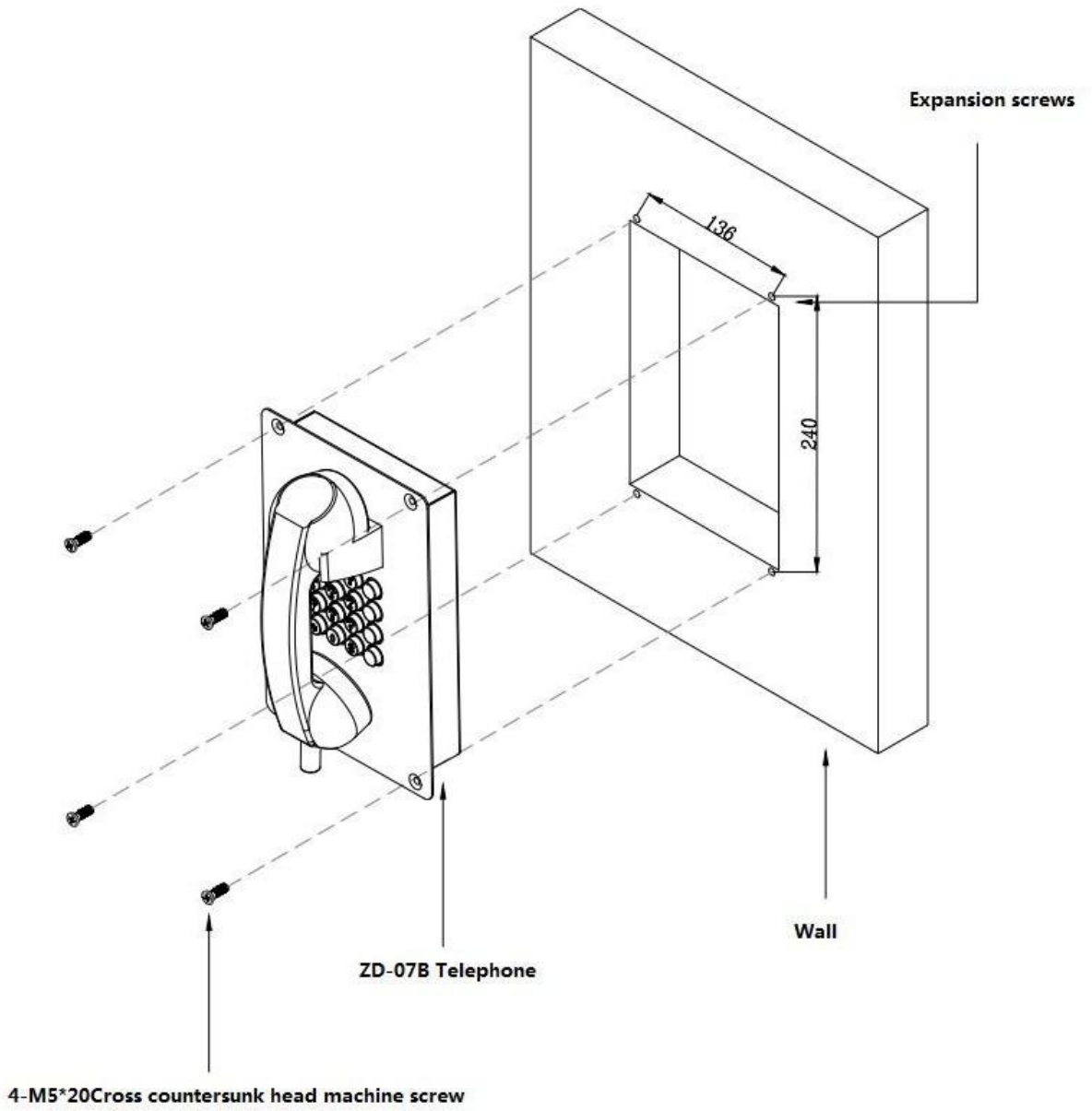
Unit N.W:2.5KG Unit G.W:3.21KG

2pcs in 1 outer Carton box: size: 350*240*190mm

N.W:5.0KG G.W:6.8KG

**HONGKONG KOON TECHNOLOGY LTD**TEL:0086755 29790158/27448753 Fax:0086755 29790278
Email:marketing@koontech.com www.koontech.com

INSTALLATION



Unit:mm

