



VoIP KNZD-53 Hotline telephone

DESCRIPTION ITEM NO.ZD0530022

1. Stainless steel body, vandal & tamper-resistant hardware, wall mounted installation.
2. Waterproof rating IP55 dust proof.
3. Without keypad, support hotline calling.
4. Magnetic reed hook-switch.
5. Lightning protection to ITU-T recommendation K.21.
6. Heavy duty handset with hearing aid compatible receiver, noise canceling microphone.
7. Handset with industrial strong metal cord .
8. POE power supply or DC12V.
9. Temperature range from -40 degree to +70 degree.
10. Support echo cancellation, wall mounted type.
11. Enhanced adjustable ringer up to 80 dB (A) at one meter.
12. Remote software upgrade, configuration and monitoring.
13. Optional 7 minute time out to release the line if the handset is left off hook. (This function upon buyer's requirement).
14. Powder coated in UV stabilized polyester finish.
15. Body in electrophoresis process finish no fingerprint. Resistant to corrosion
16. Application: bank, airport, prison, school, tunnel, metro, railway, LRT, speedway, marine, ship, offshore, mine, power plant, bridge etc.



SPECIFICATION

| | | |
|--|---------------|--|
| VoIP SIP2.0 telephone | DTMF dialing | Audio Codes:G.711, G.722, G.729 |
| MTBF:100000hours | MTTR: 2 hours | Network:10/100 BaseTX Ethernet, RJ45 connectors, Cat5e or better |
| Hotline (maximum length of each number is 16 digits) | | IP Protocols:IPv4, TCP, UDP, TFTP, RTP, RTCP, DHCP, SIP |
| Communication: Full duplex 2-way hands-free communication | | LAN Protocols:Power over Ethernet(PoE,802.3af), WLAN(IEEE 802.3af), Network Access Control(IEEE 802.1x),STP(IEEE 802.1d), RSTP(IEEE 802.1d-2004) |
| Call Control Signaling:VOIP SIP Info(DTMF), RFC 2833(DTMF) | | Programming:Non-volatile flash memory programming and configuration through Web GUI |
| Power:Power over Ethernet, IEEE802.3af, Class 0 | | Management and Operation:DHCP and static IP, remote automatic software upgrade, centralized monitoring, status LED |
| Local power, 12VDC,Idle 2W, Max 10W | | Echo cancellation code:G.167/G.168 |
| Auxiliary Contacts:1 Aux Output, dry contact | | |
| Contact Ratings. Load: Resistive load | | |
| Rated load:0.3 A at 125 VAC; 1 A at 30 VDC | | |
| Rated carry current:1A | | |
| Max.switching voltage:125 VAC,60VDC | | |
| Max.switching current:1A | | |

CERTIFICATION

RCM: AS/NZS CISPR 32 Australian communications:AS/CA S004

Australian Equipment-safety: AS/NZS 60950.1:2015

EMC: EN50121(Railway application-Electromagnetic Compatibility)

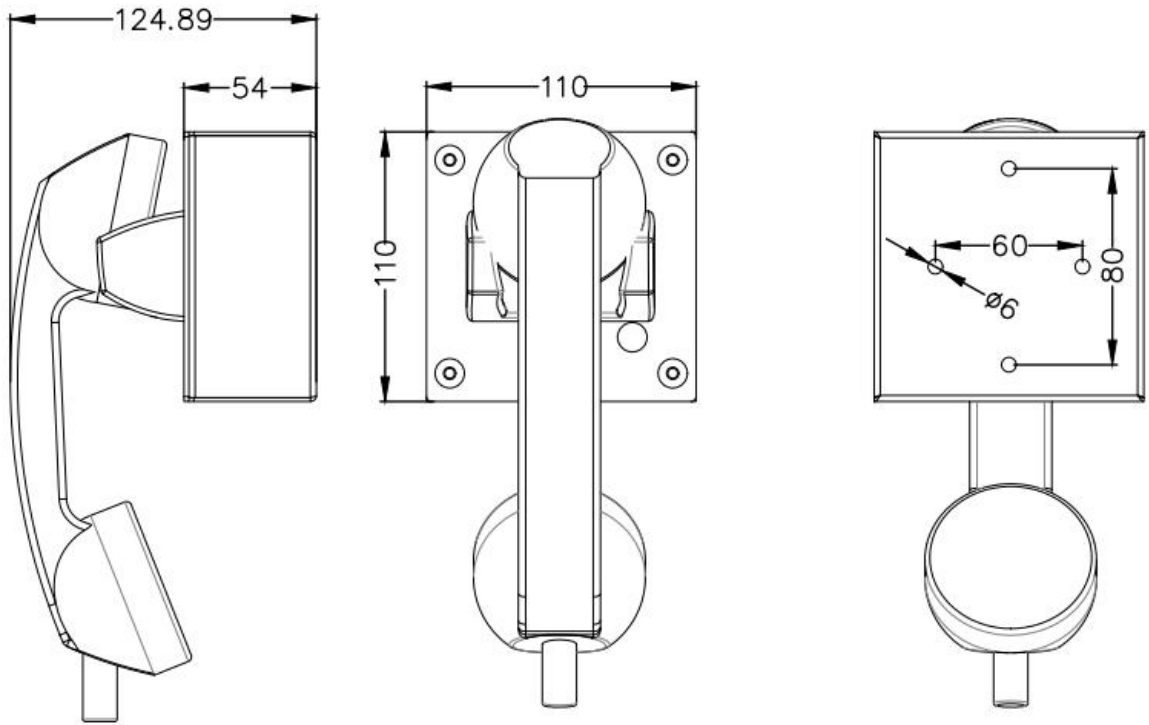
**PACKING**

Unit size:110*110*55mm Unit: N.W:1.36KG

1pcs packing box size: 310*170*140mm Unit N.W:1.36KG Unit G.W:2KG

12pcs packing box size::710*370*420mm Unit N.W:16.32KG Unit G.W:29.6KG

INSTALLATION



Unit:mm

