



VOIP KNSP-18-IP-Y Waterproof Telephone

DESCRIPTION ITEM NO.

1. Robust SMC 2600 glass fibre reinforced polyester die-cast body, Vandal & tamper-resistant hardware, easy Installation.
2. Full keypad with memory, 3 button programmable telephone, support free dial.
3. temperature range from -40 degree to +70 degree.
4. Magnetic reed hook-switch.
5. DC input overvoltage overcurrent protection and RJ 45 surge protection.
6. Heavy Duty handset with hearing Aid compatible(HAC) receiver, Noise canceling microphone.
7. Handset with industrial armored cord .
8. Stainless steel keypad keep waterproof and dusty proof.
9. Temperature range from -40 degree to +70 degree.
10. Support echo cancellation.
11. Remote software upgrade, configuration and monitoring.
12. Optional 7 minute time-limited call.(This function upon buyer's requirement).
13. Powder coated in UV stabilized polyester finish.
14. Application: Tunnel, metro, railway, LRT, speedway, marine, ship, offshore, mine, power plant, bridge etc.



SPECIFICATION

| | | |
|--|---------------|---|
| VoIP SIP2.0 telephone | DTMF dialing | Audio Codes:G.711, G.723,G.726, G.729 |
| MTBF:100000hours | MTTR: 2 hours | Network:10/100 BaseTX Ethernet, RJ45 connectors, Cat5e or better |
| Hot-line (maximum length of each number is 16 digits) | | IP Protocols:IPv4, TCP, UDP, RTP, DHCP, SIP |
| Communication: Full duplex 2-way hands-free communication | | 1 x LAN Protocols:Power over Ethernet(PoE,802.3af), |
| Call Control Signaling:VOIP SIP Info(DTMF), RFC 2833(DTMF) | | 1x LAN(IEEE 802.3af), Network Access Control(IEEE 802.1x),STP(IEEE 802.1d), RSTP(IEEE 802.1d-2004) |
| Power:Power over Ethernet, IEEE802.3af, Class 0 | | Programming:Non-volatile flash memory programming and configuration through Web GUI |
| Local power, 12VDC,Idle 2W, Max 10W | | Management and Operation:DHCP and static IP, remote automatic software upgrade, centralized monitoring. |
| Auxiliary Contacts: (option) | | Echo cancellation code:G.167/G.168 |
| 1 Aux Output, dry contact | | |
| Contact Ratings. Load: Resistive load | | |
| Rated load:0.3 A at 125 VAC; 1 A at 30 VDC | | |
| Rated carry current:1A | | |
| Max.switching voltage:125 VAC,30VDC | | |
| Max.switching current:1A | | |

Order information:

| Model number | Power Supply | Item Number |
|------------------|---------------|-------------|
| KNSP-18-IP-Y_AD | DC12V 1A | SP0180112 |
| KNSP-18-IP-Y_P | POE | SP0180042 |
| KNSP-18-IP-Y_ADP | DC12V 1A +POE | SP0180202 |

*AD---Adapter UL (Input : AC110~240V , Output : DC12V 1A)

*P---POE

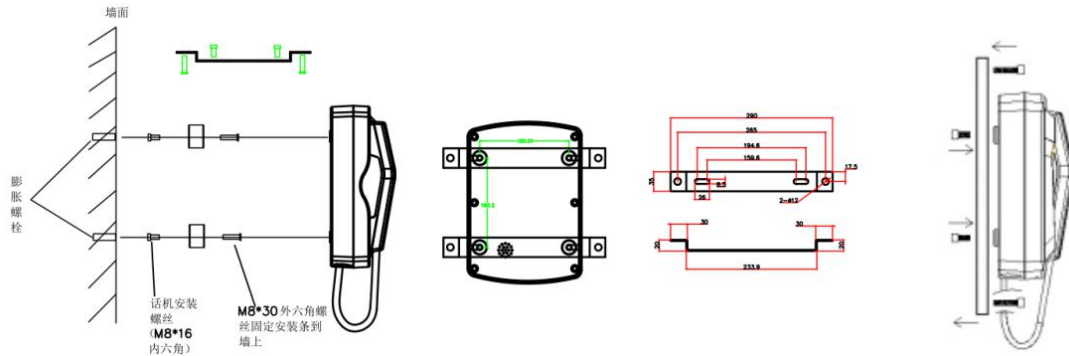
CERTIFICATION

Australian communications:AS/CA S004
Australian Equipment-safety: AS/NZS 60950.1:2015
RCM: AS/NZS CISPR 32
EMC:EN55032, EN55024,EN61000-3-2.



HONGKONG KOON TECHNOLOGY LTD
TEL:0086755 29790158/27448753 Fax:0086755 29790278
Email:marketing@koontech.com www.koontech.com

INSTALLATION



Installation method: mounting strip,

mounting plate

PACKNG

Unit size: 290 * 205 * 117mm N.W: 4KG

1pcs packing box size: 332 * 210 * 125mm N.W: 4.79KG

6pcs in 1 outer Carton box: size: 670 * 352 * 315mm N.W: 30.5KG

