



Telephone Hood RF-14

Main Features:

- Suitable for industrial premises or commercial locations
- Designed to fit above all types of wall mounted phones
- Alternatively small phones can be mounted directly onto the back wall of the hood
- Manufactured in glass reinforced plastic
- Suitable for outdoor installs
- Dims 495.7mm x 725mm x 760mm/478.8mm x 700mm x 750mm
- Colours: Grey, yellow

Introduction:

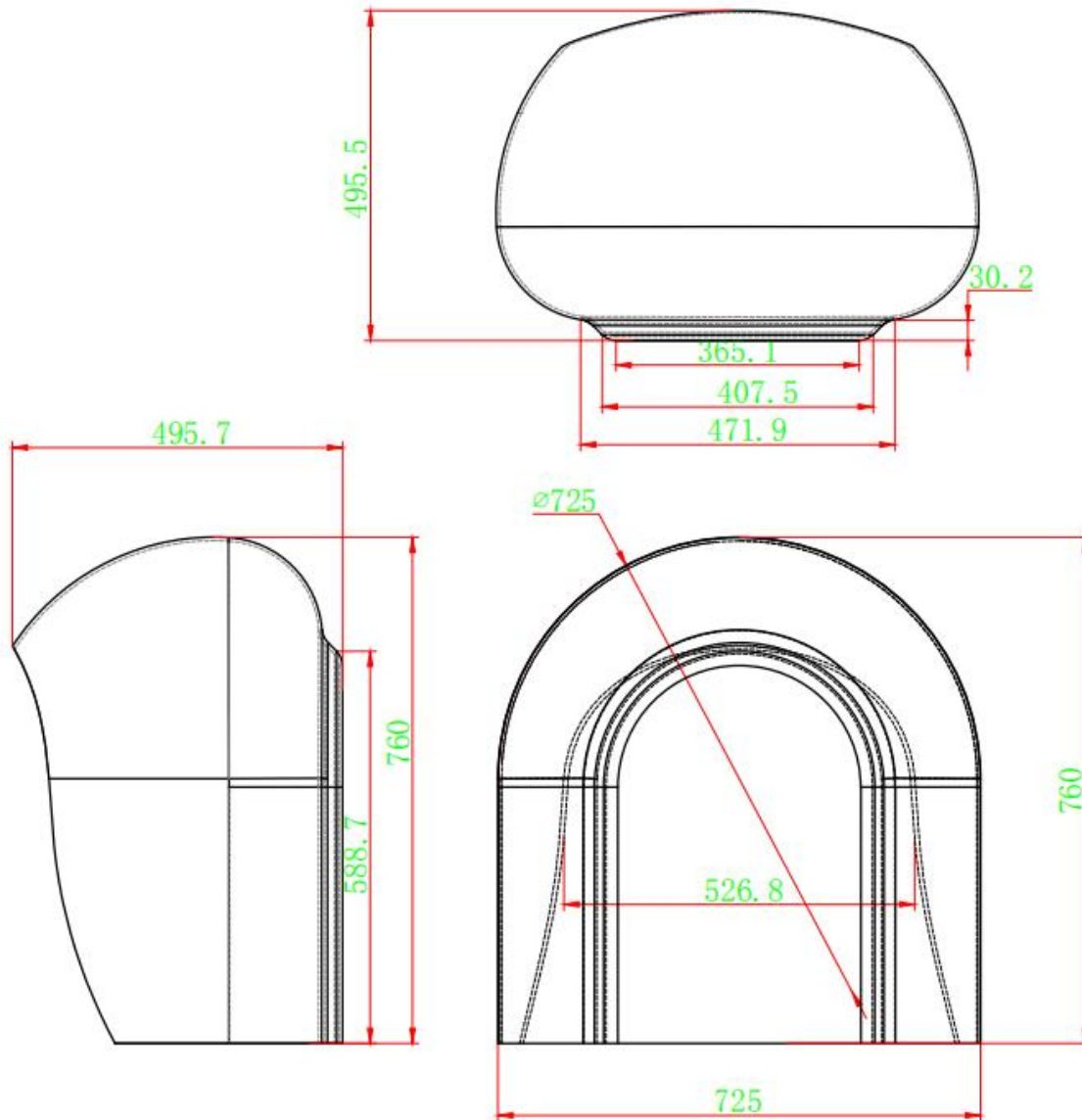
The acoustic hood is both suitable for commercial locations where appearances are important or industrial premises to brighten up the working environment. It is applied in offshore and onshore petrochemical industry, energy industry, energy companies and so on. The acoustic hood has been designed to fit above all types of wall mounted phones.

Smaller wall mounted phones, or intercoms can be fixed into the 650mm high by 420mm wide flat area in the back of the hood.

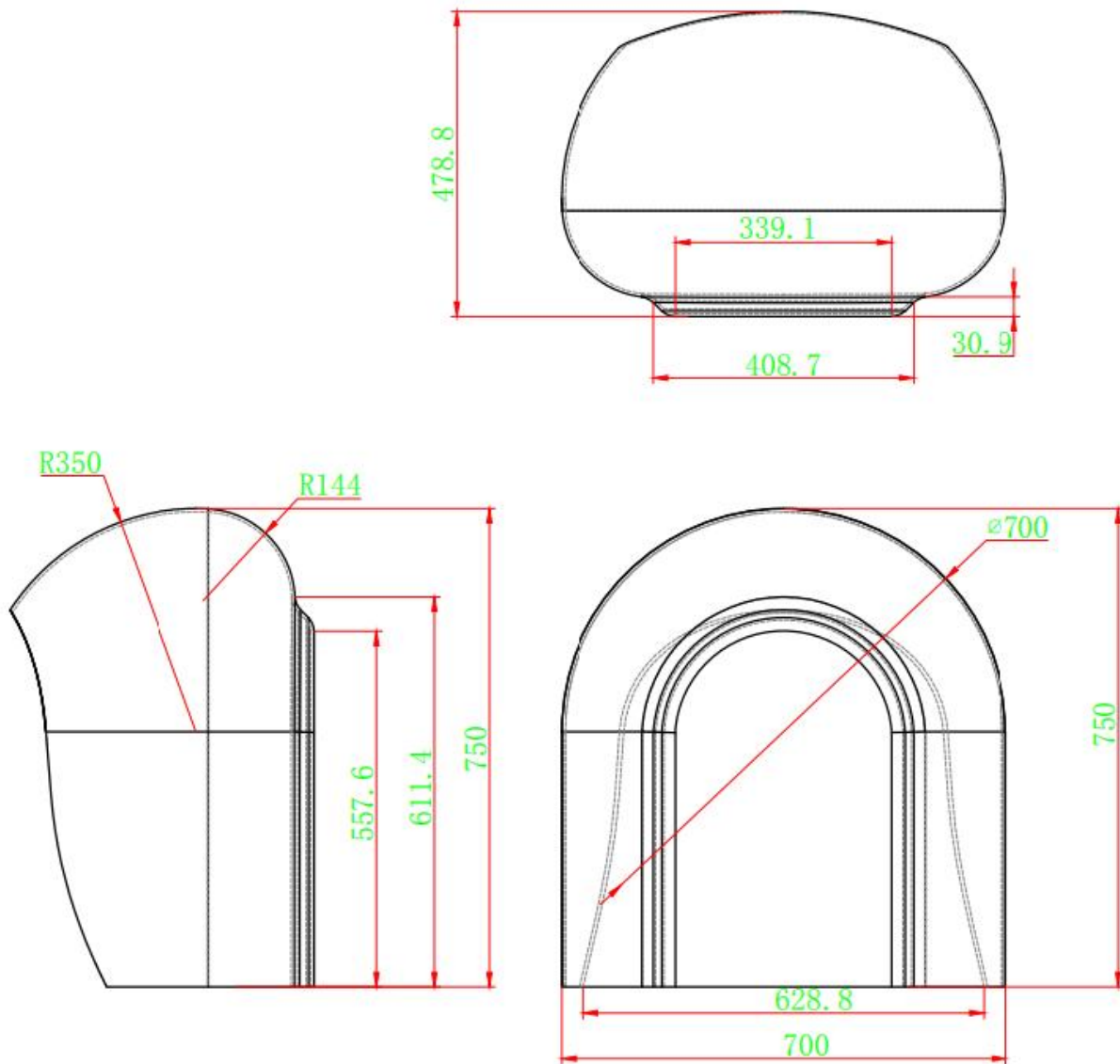
The thermo set composite moulding is manufactured using the latest RTM MIT

process, giving the RF-14 considerable strength and resistance to impact. It is suitable for internal or external locations including use as a Marine Telephone Hood. Recent re-styling has also included moulded-in handset graphics to the sides and a discrete flat area to the front which allows the fixing of screen printed graphics.

Telephone layout:



RF-014-001-01 (Big)



RF-014-001-02 (Small)

Specifications:

Colour: Grey

Dimensions: 495.7mm x 725mm x 760mm/478.8mm x 700mm x 750mm

Weight -Approx 9Kg

Boxed Dimensions -840 x 790 x 610mm

Boxed Weight -Approx 13kg

Application:





Web: www.koontech.com

Email: marketing@koontech.com

Tel: (HK Office) +852 9068 2799 / (Shenzhen Office) +0086 0755 2744 8753

Shenzhen Office: T3 1001, Yifang Center, Baoan, Shenzhen, China

HK Office: Unit C5, 11/F, Ka To Factory Building, 2 Cheung Yue Street, Cheung Sha Wan, Kowloon, Hong Kong

Factory: KNTECH Building, Phoenix Mountain, Limhai Zone, Shajiao Community, Humen, Dongguan, China