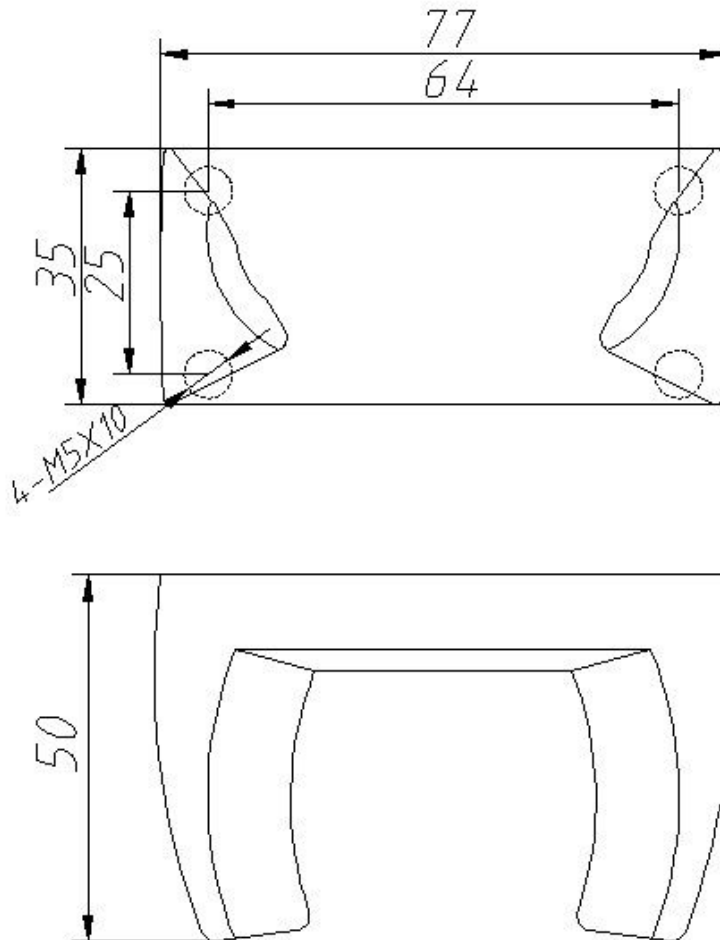


## Magnetic Hook H3

We provide the hook group that can meet the requirements for complete series of hangup system and that can be designed to match the handle group correspondingly in following three categories:

- (1) Metal hook group with complete breakage resistance;
  - (2) Model-steel hook group with low cost
  - (3) Up-to-date hook group with magnetic spring switch
- In addition, we can also design and manufacture different grades of products to meet individual customer's requirement.



Autodial telephone,handset emergency telephone, handfree emergency telephone, handset free emergency telephone,Auto dial emergency phone, Metal emergency telephone, sos telephone,help telephone,GSM telephone,help point,help phone, outdoor emergency telephone,Gaitronics,emergency call point,metal help telephone, camera phonepublic telephone,loud speaking phone,bank service telephone, elevator phone>window intercome,LCD telephone,hotline phone,talk a phone,cleanroom telephone,viking,weatherproof phone,SIP phone,voip phone, call point outdoor weatherproof phone,solar energy help phone,tunnel telephone,2G,3G telephone,trackside telephone