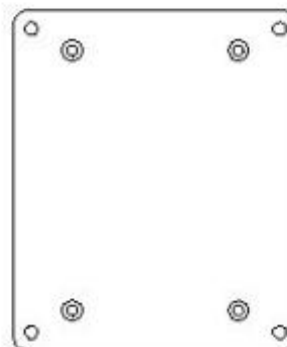
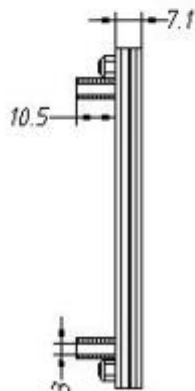
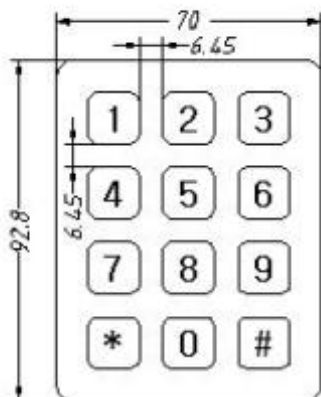


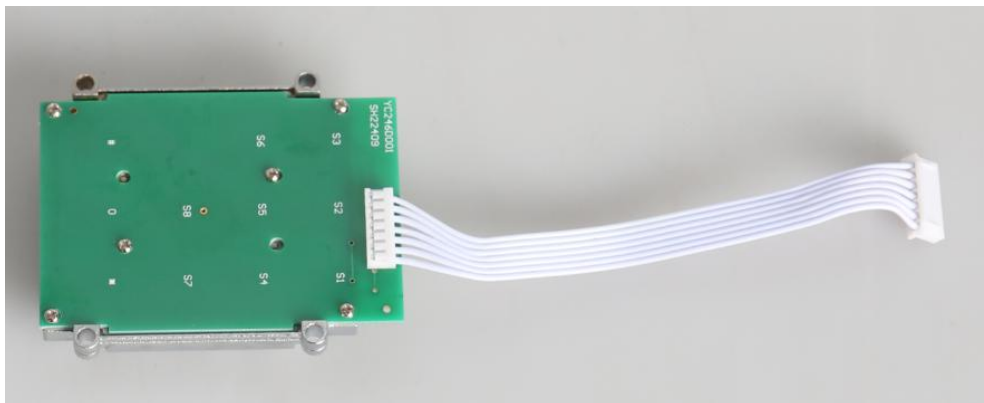
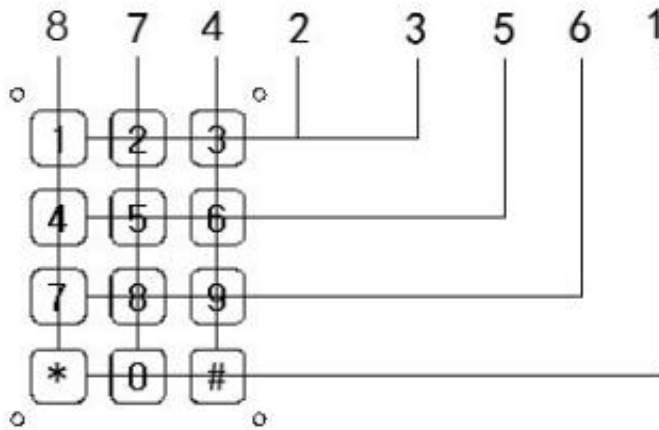


KP2 introduction

Product Name: Industrial Keypad with 12keys KP2

Product model: KP2





Profesional Vandal proof keypad

- 1.Stroke: less than 3mm
- 2.The key and frame uses zinc-alloy
- 3.Key pads conductive rubber has adopted silicon rubber
- 4.Connector is 8 pin
- 5.The key 5 has a small convex dot for blind person identification marking to use
- 6.Stroke time: 1 million above