



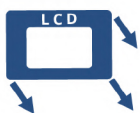
Model:KNPL-500

6Line Enterprise-class IP Phone

The KNPL-500 is a high-end business IP phone for users who need flexibility and advanced features to easily handle busy and complex work needs at work. The KNPL-500's upgraded color display has 10 DSS buttons for setting up BLF/speed dialing, multicasting, and more. KNPL-500 is also equipped with high-definition voice, support WIFI link, support EHS, 100M dual network port PoE. The KNPL-500 with high-end features can greatly improve the efficiency of corporate communications.



HD audio,handset and speakerphone with support for wide-band audio



Swappable face plates to allow for easy Logo customization

6 LINES

6 line keys with up to 6 SIP accounts,8MPK extension keys with dual-color LED with 2 Left/Right keys



Megabytes

Dual switched auto-sensing 10/100 Mbps Megabytes Ethernet ports with integrated POE



Dual LCD screens with digital BLF keys

KNPL-500 business class SIP phone

High-ranking phone function More efficient



6 SIP Line



High Digital



One Screen



10 DSS bottom



128*48(MM)-LCD Display

The surface design is a very elegant high-resolution screen.

Up to 4 level back light selectable.

Angle



50°

Function Schedule (KNPL-500)

*6 SIP Lines tripartite conference.

*HD sound quality. (handset and speaker)

*Megabytes Double Network Port,POE is optional funtion.

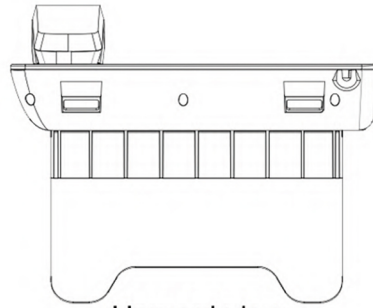
*Surport EHS earphone

*Surport mainstream IP PBX/softswitch/IMS Platform

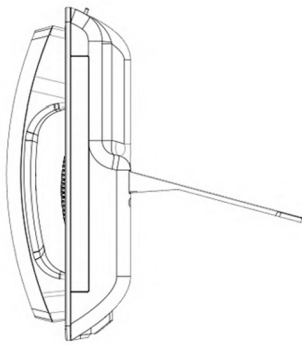
3CX, Asterisk, Broadsoft,Elastix,Avaya.



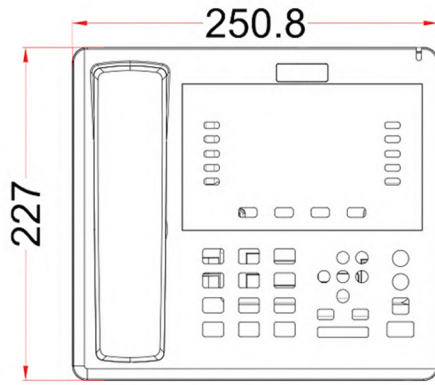
Protocols/Standards	SIP RFC3261, TCP/IP/UDP, RTP/RTCP, HTTP/HTTPS, ARP, ICMP, DNS(A record,SRV,NAPTR), DHCP, PPPoE, TELNET, TFTP, NTP, STUN, SIMPLE, LLDP, LDAP, TR-069, 802.1x, TLS, IPV4.
Network Interfaces	Dual switched auto-sensing 10/100 Mbps Megabytes Ethernet ports with integrated PoE.
Graphic Display	128*48(mm)-LCD Display
HD Audio	Yes,HD handset and speakerphone with support for wideband audio.
DSS Key	10 DSS key on 128*48(mm)-LCD Display
Voice Codecs and Capabilities	Support for G7.29A / B, G.711μ/a-law, G.726, G723, in-band and out-of-band DTMF (in audio, RFC2833), SIP INFO.
Feature Keys	6line keys with up to 6SIP accounts, 8MPK extension keys with dual-color LED with 2Left/Right keys, 4XML programmable context sensitive softkeys, 5navigation/menu keys, 11dedicated, for: MESSAGE (with LED indication), phonebook,transfer,conference,hold,handset,mute,send/redial,speakerphone,vol+,vol-
Base stand	Base support
Telephone Feature	Hold, transfer, forward, call park, call pickup, downloadable phonebook(XML,LDAP, up to 2000 items), call waiting, call log(up to 2000 records), off-hook auto dial, auto answer, flexible dial plan, hot-desking, personalized music ringtones and music.on hold, server redundancy and fail-over
QoS	Layer 2 QoS (802.1Q, 802.1P) and Layer 3 (ToS, DiffServ, MPLS) QoS
Multi-language	English, German, Italian, French, Spanish, Portuguese, Russian, Croatian, Chinese,Korean, Japanese etc.
Security	User and administrator level passwords, MD5 and MD5-session based authentication, TLS, 802.1x media access control, secure boot
Upgrade/Provisioning	Firmware upgrade via FTP/TFTP / HTTP / HTTPS/TR-069, mass provisioning.
Temperature and Humidity	Operation: 0°C to 40°C, Storage: -10°C to 60°C Humidity: 10% to 90% Non-condensing
Power & Green Energy Efficiency	Universal power adapter included - Input:100-240V ; Output: +12V, 1.5A ; IntegratedPower-over-Ethernet(802.3af), Max power consumption 3.5W(power adapter) or 4W(PoE)
Package Content	KNPL-500phone, handset with cord, phone stand, 12V power adapter, network cable, Quick Installation Guide.
Physical	Unit weight: 950g ; Package weight: 1460g Dimension: 234mm x 213mm x 82.2mm
500 Characteristic	128*48(mm)-LCD Display
Compliance	CE: EN 55032; EN 55035; EN 61000-3-2; EN 61000-3-3; EN 60950-1; EN 301489-1; EN 301489-17; EN 300328; EN 301893; EN 62311RCM: AS/NZS CISPR32; AS/NZS 61000.3.2; AS/NZS 61000.3.3; AS/NZS 4268; AS/NZS 60950.1; AS/CA S004 12V power adapter



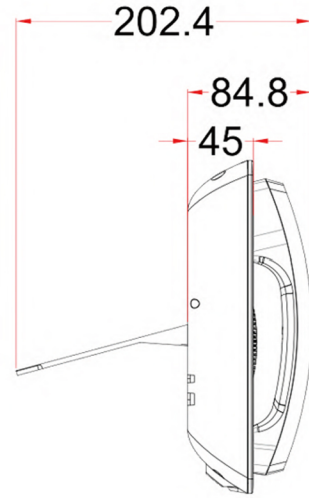
Upward view



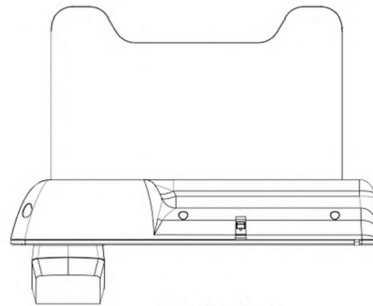
Right view



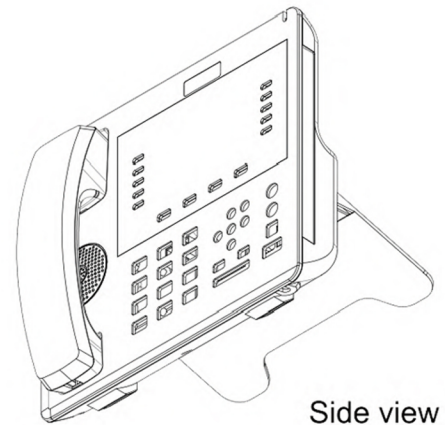
Front view



Left view



Top view



Side view

UNIT:MM