

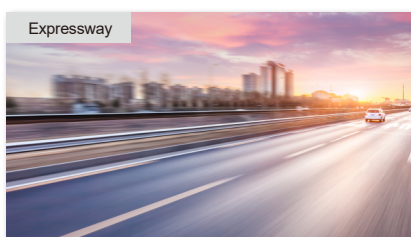
KNZD-37 IP Video Intercom



Description Item

1. VoIP SIP 2.0 protocol
2. Stainless steel push button.
3. Dry contact 1 group output.
4. Infrared HD camera night vision. Optional.
5. Unite waterproof rating IP55 dust proof.
6. Super anti-noise technology and quiet communication.
7. Support one-way video call, built-in real 3W speaker.
8. Temperature range from -40 degree to +70 degree.
9. Support standard Session Initiation Protocol(SIP), RFC 3261.
10. Calling indoor extension for two-way full-duplex conversation.
11. Support deep echo cancellation.
12. Remote software upgrade, configuration and monitoring.
13. Built-in dynamic noise reduction, to achieve high-quality voice communications.
14. Surface electrophoresis coating, long time no rust, no fingerprint stain.
15. Power supply: DC12V. Optional POE powered upon requested.
16. Application: Metro, railway, LRT, speedway, school, bank, hospital, hotel,etc.

Application



SPECIFICATION

VoIP SIP2.0 telephone.

DTMF dialing.

Audio Codes: G.711, G.722, G.729.

MTBF:100000 hours.

MTTR: 2 hours.

Network:

10/100 BaseTX Ethernet, RJ45 connectors, Cat5e or better.

Hotline (maximum length of each number is 16 digits)

IP Protocols:

IPv4, TCP, UDP, TFTP, RTP, RTCP, DHCP, SIP.

Communication:

Full duplex 2-way hands-free communication.

Programming:

Non-volatile flash memory programming and configuration through Web GUI.

Call Control Signaling:

VOIP SIP Info(DTMF), RFC 2833(DTMF).

Management and Operation:

DHCP and static IP, remote automatic software upgrade, centralized monitoring, status LED.

Power:

Power over Ethernet, IEEE802.3af, Class 0 Local power, 12VDC,Idle 2W, Max 10W.

Echo cancellation code: G.167/G.168.

Auxiliary Contacts:

1 Aux Output, dry contact.

Contact Ratings. Load:

Resistive load.

Rated load:

0.3 A at 125 VAC; 1 A at 30 VDC.

Rated carry current: 1A.

Max.switching voltage: 125 VAC,60VDC.

Max.switching current: 1A.

Camera	Image Sensor: OV9712 Min. Illumination: 0.1lux Framerate: 15fps,H.264	Total Pixels: 720P(1280*720) 15fps Field of view: 150° horizontal *Opposite 170° Lens size: 1/4inch
---------------	--	--

Certification

RCM: AS/NZS CISPR 32

Australian communications: AS/CAS004

Australian Equipment-safety: AS/NZS 60950.1:2015



Packing

Machine size: 200 *140 *50mm

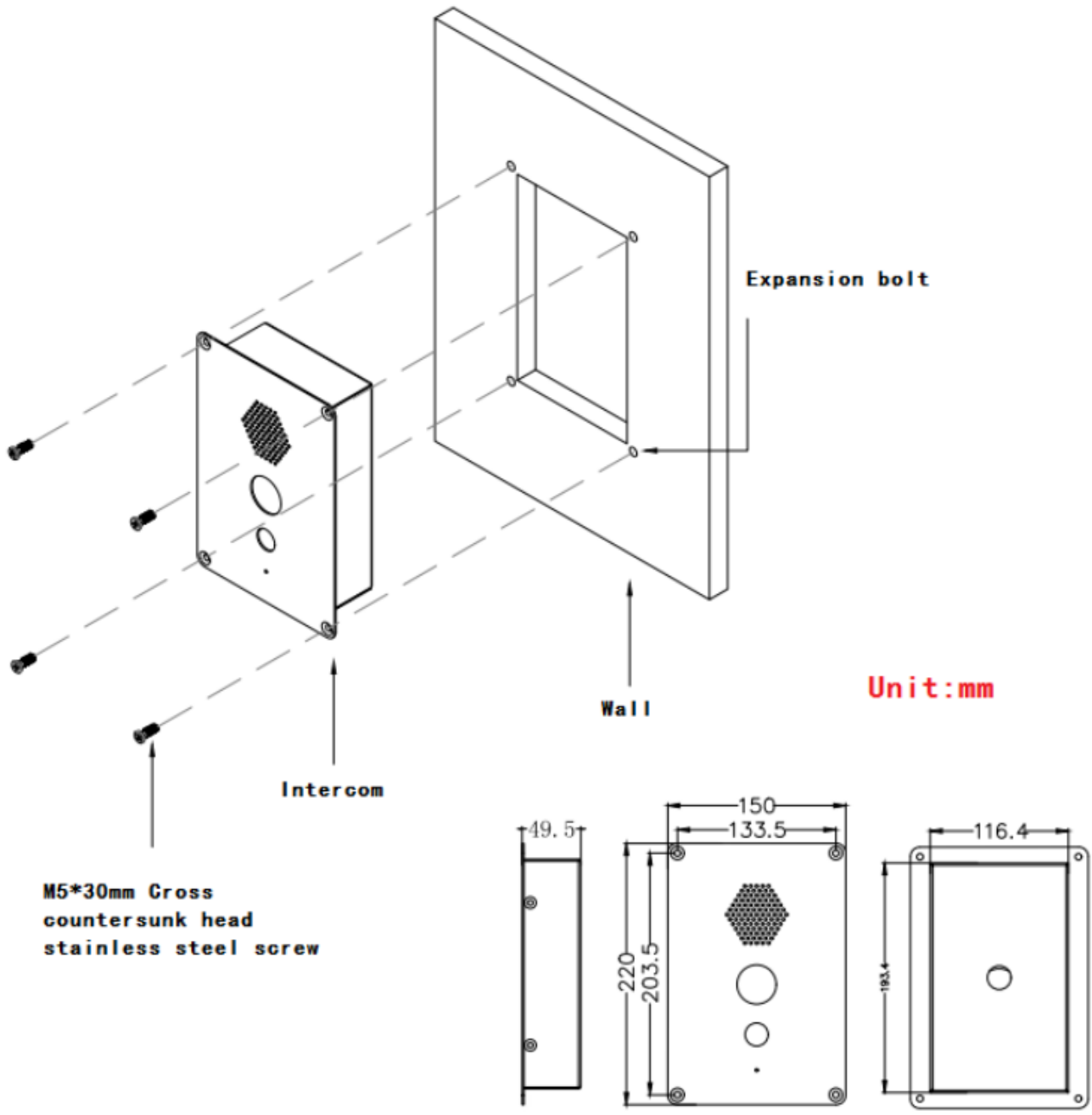
Packaging material: pearl cotton, carton

Net weight: 2KG

Carton size: 360 *235 *145mm

Gross weight: 2.5KG

Dimension



Web: www.koontech.com

Email: marketing@koontech.com

Tel: (HK Office) +852 9068 2799 / (Shenzhen Office) +0086 0755 2744 8753

Shenzhen Office: T3 1001, Yifang Center, Baoan, Shenzhen, China

HK Office: Unit C5, 11/F, Ka To Factory Building, 2 Cheung Yue Street, Cheung Sha Wan, Kowloon, Hong Kong

Factory: KNTECH Building, Phoenix Mountain, Limhai Zone, Shajiao Community, Humen, Dongguan, China