

Explosion-Proof Speakers

Model No.: KNLB-EX30Y



Features

1. Explosion proof Speaker design and certified by TUV ATEX standard.
2. Material/Colour: Anti-static Polyamide/Black
3. Waterproof rating IP66 dust proof IP66.
4. Service temperature range from -40 °C to +55°C.
5. For 360° lossless broadcast
6. Transformer coupled in model KNLB-EX30Y
7. For use public address and paging application
8. Application: Products are widely used in petroleum, metallurgy, chemical industry, sea oil, nuclear power, shipbuilding, tunnels and other projects requiring explosion-proof grade Speaker.

ATEX Type and Marking



II 2G Ex db eb IIC T6 Gb
II 2D Ex tb IIIC T85°C Db

IP66 -40°C ≤ Ta ≤ +55°C



Type Description

The appearance of the speakers mold is the same, the difference built-in transformer or not

	Model	Resistance horn AC Impedance 8Ω	Constant pressure Horn 70V/100V AC Impedance 8Ω + transformer	Power Handling	SOUND PRESSURE LEVEL lw/m at 1000Hz (dB)	Power TAPS
5	KNLB-EX30Y	√	√	5---30W Adjustable	110	5W/10W/15W/30W



ATEX

ZONE 1/2G

ZONE 2/3G

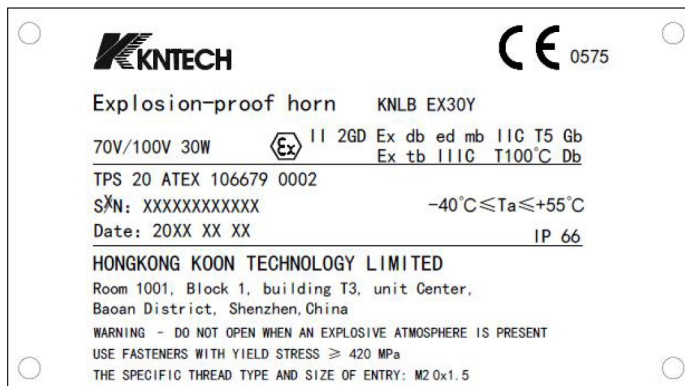
ZONE 21/2D

ZONE 22/3D

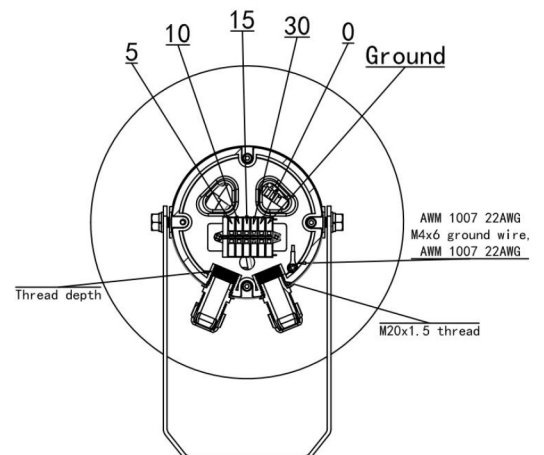
Specification for all the speakers

1	DIMENSION	250 (Ø)*352(L)mm
2	Material	Anti-static Polyamide/Black
3	RATED FREQUENCY RANGE	300Hz ~ 8000Hz
4	TOTAL HARMONIC DISTORTION	5% Max at 1KHz 1W
5	AC IMPEDANCE	8 ±15% ohm
	DC IMPEDANCE	6.4 ±7% ohm
6	SPEAKER WEIGHT	4.0 kg
7	WORKING ENVIRONMENT	Temp -40°C~ 55°C, Humidity 45% ~85%,

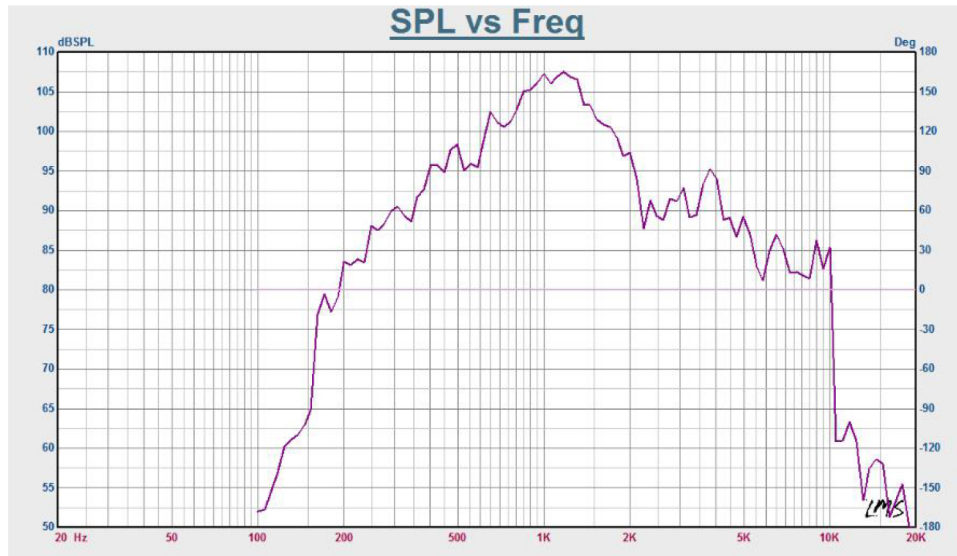
Label:



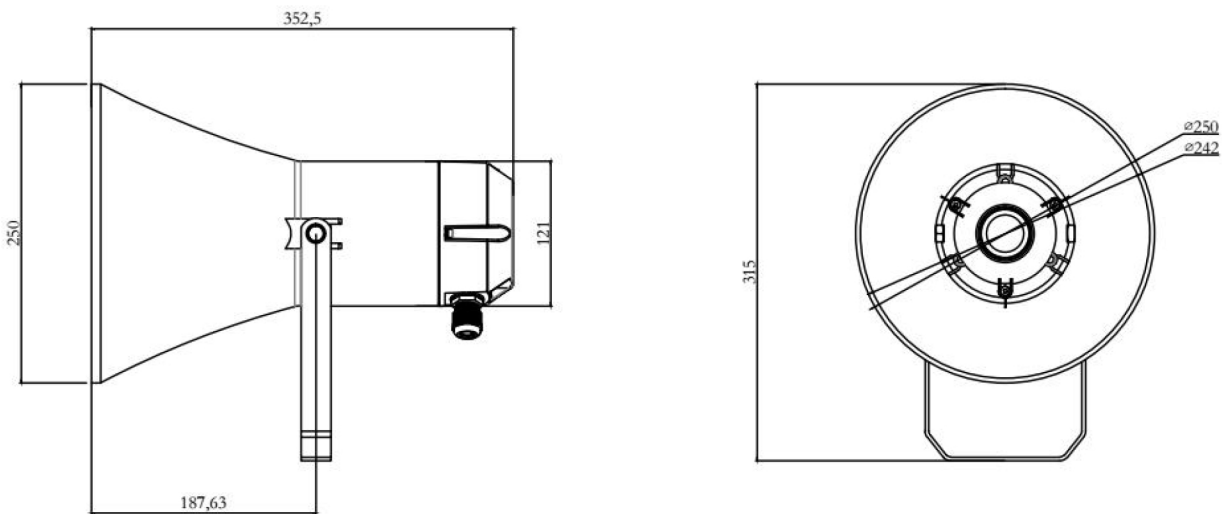
Electrical connection:



Frequency Response @ /1W/1m



Products Size



Packing

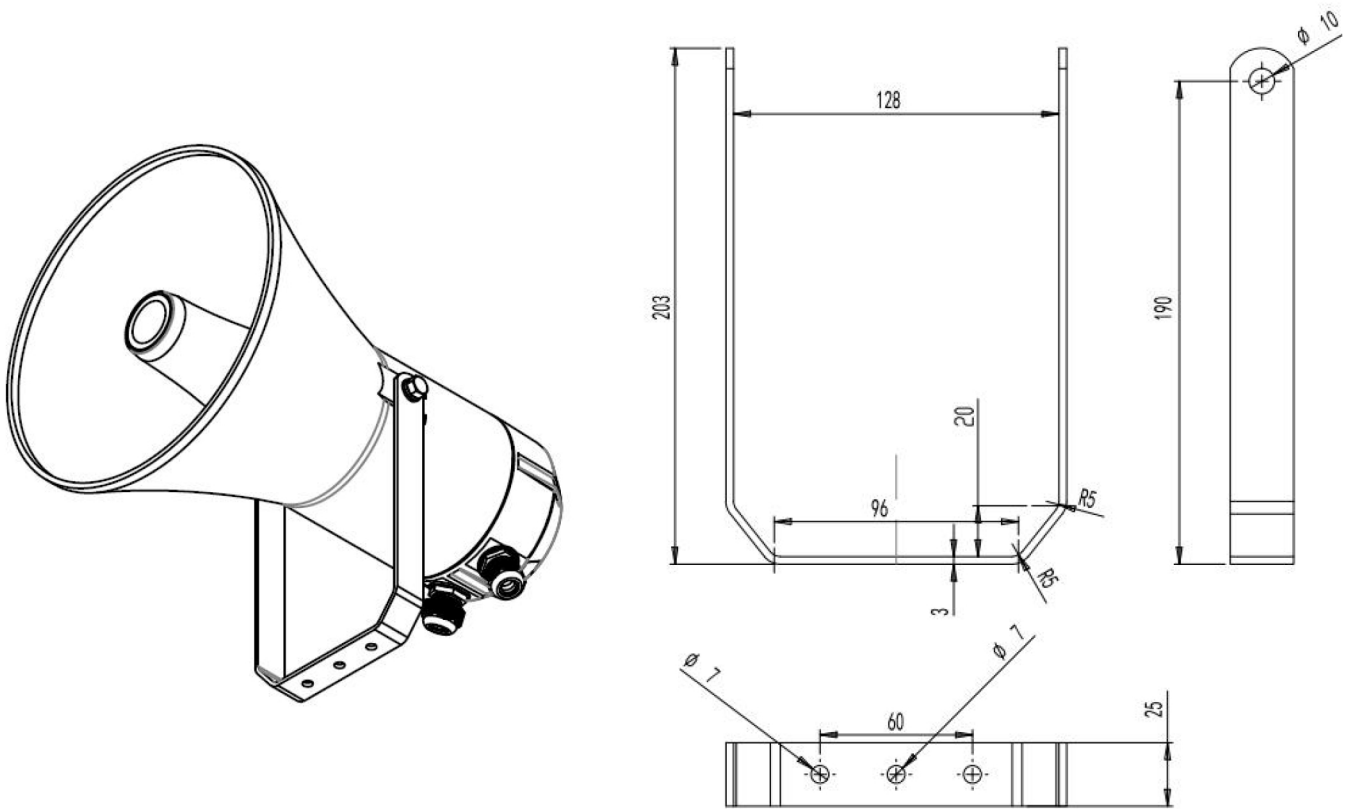
Unit size: 250 (Ø)*352(L)mm

Unit G W: 4.0kg

1 pcs in a inside box. Box size: 270x270x390 mm G.W: 4.0KG

2 pcs in a CTN box. CTN box size: 570x290x420 mm G.W:8.4KG

Installation dimension drawing :



More models of explosion-proof speakers are available for customers to purchase

Model Number	AC impedance 8Ω	Built-in Audio Transformer	Rated Power	Application
KNLB-Ex5	√		5W	Explosion-proof telephone: KNEX6/KNEX8
KNLB-Ex10	√		10W	
KNLB-Ex15	√		15W	
KNLB-Ex30	√		30W	
KNLB-Ex30Y		√	5W/10W/15W/30W	Voltage type power amplifier