



HONGKONG KOON TECHNOLOGY LIMITED

268#,Nangchang industrial park, Gushu, Baoan district, Shenzhen,Guangdong, China

Tel: 0086755 27448753 ext 8020 Fax:0086755 29790278

Email: Jenny@koontech.com www.koontech.com

Product introduction

Product Name: LED Beacon

Model number: **D8**

Dimension:D123mm*H113mm



D8 LED beacon with 72pcs high brightness LED lamp and intelligent IC control function,shade with focus function,more flash brightness,better quality,running stabler.Used in electrical power, telecommunications, machine tools, shipbuilding, printing, mining machinery and other equipment for indication signal, notice the signal, accident signal.



HONGKONG KOON TECHNOLOGY LIMITED

268#,Nangchang industrial park, Gushu, Baoan district, Shenzhen,Guangdong, China

Tel: 0086755 27448753 ext 8020 Fax:0086755 29790278

Email: Jenny@koontech.com www.koontech.com

Product Parameter

Power Consumption : 6W

Voltage:DC 12V

Operating Temperature:-30°C-60°C

Color Optional:Red,Blue,Yellow,Green

Lamp Beads:Φ5 straw hat lamp LED

Operating Mode: Strobe

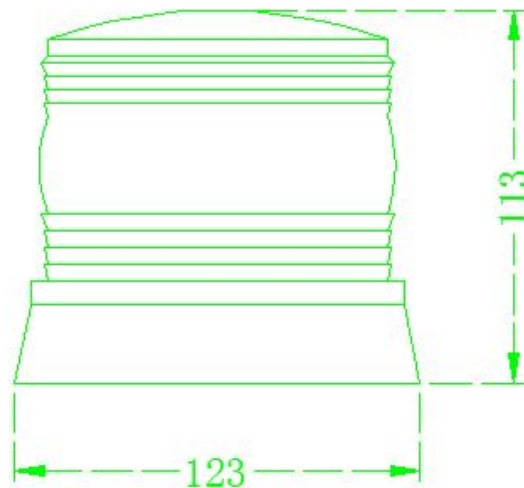
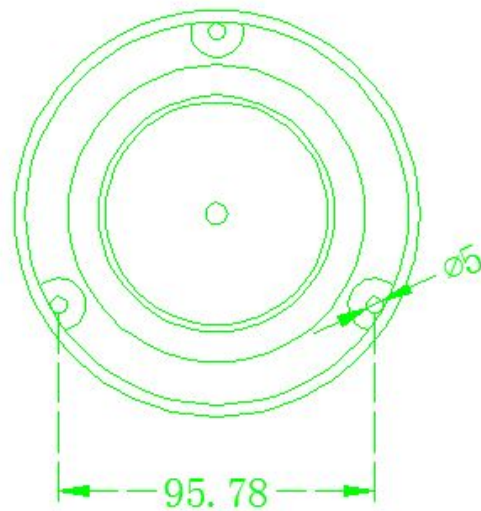
Material: Import highly transparent Carbonate Material

Fix type: Screw type + Magnetic

IP rating :IP53

D123mm*H113mm Dimension: D123mm*H113mm

Dimensional Drawing





HONGKONG KOON TECHNOLOGY LIMITED

268#,Nangchang industrial park, Gushu, Baoan district, Shenzhen,Guangdong, China

Tel: 0086755 27448753 ext 8020 Fax:0086755 29790278

Email: Jenny@koontech.com www.koontech.com

More reference pictures:

