


## Button B2

### Characteristics

Function	operated function test e.g.for alarm button or door open button,etc.
Fixing	Clip Fixing
Faceplate thickness	1.3mm
Connection technology	
Switching element	snap switch 1NO connect ,1 alternating contact Switching Voltage =30 VDC Switching current=0.8Aohmic load Switching current=0.5Ainductive load,(L/R=3ms) Swithcing voltage=50VAC Switching current=1A



fb=remotely operated

Coil US1 US2= 24VDC

Power consumption

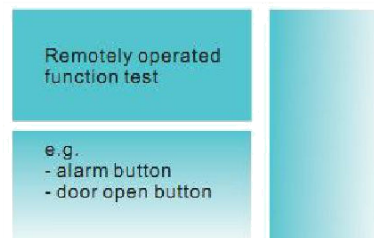
With remote operation Max.<250mA

Keying time for

Remote operation Max.4 seconds

Stroke 0.5-0.8mm

Recall light



### Dimensions

