



Analogue KNZD-45A Robust Intercom

DESCRIPTION ITEM NO.ZD45A0012

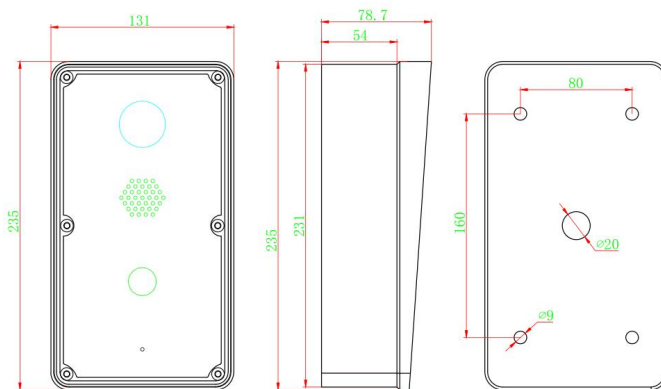
1. Robust aluminium alloy die-cast body stainless steel face plate
2. Waterproof rating IP55 dust proof.
3. LED indicator for incoming call.
4. Hands-free button, double loudspeaker.
5. Lightning protection to ITU-T recommendation K.21.
6. POE power supply or DC12V.
7. Temperature range from -40 degree to +70 degree.
8. Support standard Session Initiation Protocol(SIP), RFC 3261.
9. Calling indoor extension for two-way conversation.
10. Support echo cancellation.
11. Remote software upgrade, configuration and monitoring.
12. Optional 7 minute time out to release the line if the other hand hang up.This function upon buyer's requirement).
13. The housing covered with a layer of reflective label for easy identification at night.Optional
14. Application: Tunnel, metro, railway, LRT, speedway, marine, ship,offshore, mine, power plant, bridge etc.



SPECIFICATION

1. PSTN analogue telephone
2. DTMF dialing
3. MTBF:100000hours
4. MTTR: 2 hours
5. Connection: RJ11 screw terminal pair cable
6. Applicable for various types of SPC exchange PABX and dispatching exchange system with feeding voltage of 33-60V.
7. Ambient temperature:-30 ~ +60 degree. Relative humidity:10%~95%
Atmospheric pressure: 86~106Kpa Circumstance noise:less than 60dB(A)
8. Sound level of ringing:over 70dB(A).
9. Standard frequency:low frequency group:697. 770. 852. 941Hz,
high frequency group:1209. 1336. 1477Hz, frequency deviation:-1.5% ~ +1.5%
10. Call transmission index:(5KM)SLR<12,RLR<-1,STMR>10, output impedance is 600 Ohm.
maximum distance: 7KM
10. Super strong function is available for dialing 4 groups of numbers stored in the memory
(maximum length of each number is 16 digits)
11. Connection: RJ11 screw terminal pair cable (or RJ11 Socket of plug upon request)
with stainless steel cable protected

INSTALLATION



CERTIFICATION

RCM: AS/NZS CISPR 32 Australian communications:AS/CA S004
 Australian Equipment-safety: AS/NZS 60950.1:2015
 EMC: EN50121(Railway application-Electromagnetic Compatibility)



RoHS

PACKING



Unit size:235*131*78.7mm

Unit: N.W:1.5KG

1pcs packing box size: 330*180*110mm

Unit N.W:1.5KG Unit G.W:2.06KG

2pcs in 1 outer Carton box: size: 350*240*190mm N.W:3KG G.W:4.72KG



HONGKONG KOON TECHNOLOGY LTD

TEL:0086755 29790158/27448753 Fax:0086755 29790278
 Email:marketing@koontech.com www.koontech.com