



Analogue KNZD-07B Auto dial Telephone

DESCRIPTION ITEM NO.ZD07B0012

1. Metal body. Mechanical hookswitch.
2. Autodial when phone is picked up.
3. The speed-dial number can be optionally set or changed by keypad and its very easily operated.
5. Tally with the full function of the common telephone
6. Wearable, waterproof, moisture proof, Vandal resistant and tamper-resistant hardware
6. Lightening protection to ITU-T K.21
7. Handset integrity wiring to enable the telephone system to check if the telephone unit is still operational.
8. Selectable 7 minute time out
9. Stainless steel keypad withstands high loads.
10. The stainless steel armoured handset cord is manufactured to withstand high tensile forces.

Application Examples:

As Public telephone for indoor or outdoor, Taxi or bus stands or station, Highway call box
Railway, metro, ATM machines side, Tunnel, Port, Dock, Mines, Generation facilities...
A good ideal telephone for use in wet or corrosive atmospheres



SPECIFICATION

1. PSTN analogue telephone
2. DTMF dialing
3. MTBF:100000hours
4. MTTR: 2 hours
5. Connection: RJ11 screw terminal pair cable
6. Applicable for various types of SPC exchange PABX and dispatching exchange system with feeding voltage of 33-60V.
7. Ambient temperature:-30 ~ +60 degree. Relative humidity:10%~95%
Atmospheric pressure: 86~106Kpa Circumstance noise:less than 60dB(A)
8. Sound level of ringing:over 70dB(A).
9. Standard frequency:low frequency group:697. 770. 852. 941Hz,
high frequency group:1209. 1336. 1477Hz, frequency deviation:-1.5% ~ +1.5%
10. Call transmission index:(5KM)SLR<12,RLR<-1,STMR>10, output impedance is 600 Ohm.
maximum distance: 7KM
10. Super strong function is available for dialing 3 groups of numbers stored in the memory
(maximum length of each number is 16 digits)
11. Connection: RJ11 screw terminal pair cable (or RJ11 Socket of plug upon request)
with stainless steel cable protected

CERTIFICATION

RCM: AS/NZS CISPR 32 Australian communications:AS/CAS004

Australian Equipment-safety: AS/NZS 60950.1:2015

EMC: EN50121(Railway application-Electromagnetic Compatibility)



RoHS

PACKING

Unit size:260*170*110mm

Unit: N.W:2.5KG

1pcs packing box size: 300 *200 *80mm

Unit N.W:2.5KG Unit G.W:3.21KG

2pcs in 1 outer Carton box: size: 350*240*190mm

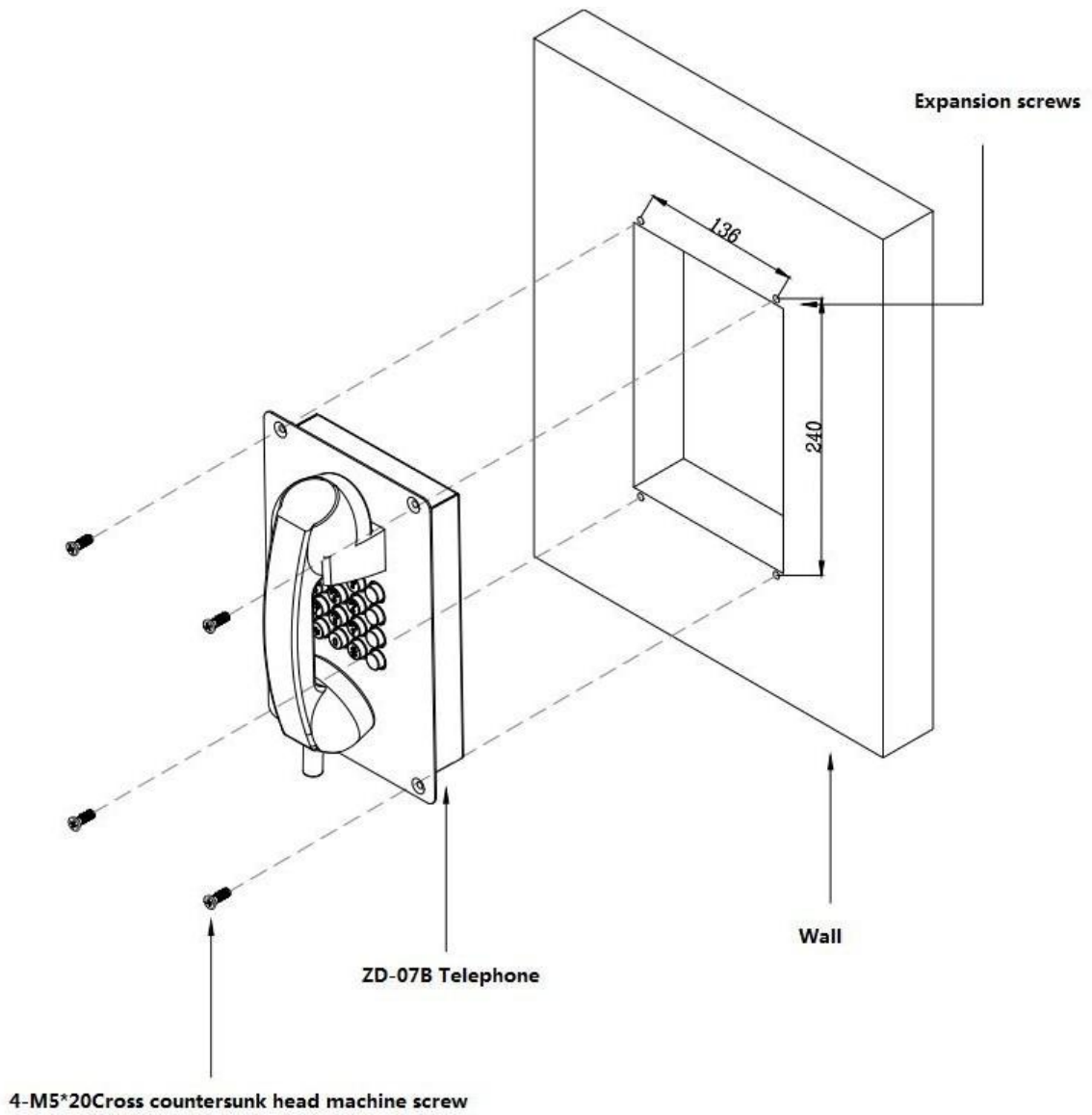
N.W:5.0KG G.W:6.8KG



HONGKONG KOON TECHNOLOGY LTD

TEL:0086755 29790158/27448753 Fax:0086755 29790278
Email:marketing@koontech.com www.koontech.com

INSTALLATION



Unit:mm

