

RF-26

TELEPHONE ACOUSTIC HOOD



Thank you for your interest in Kntech - we are a China based manufacturer of Industrial Communication products. Our systems are mainly designed for use in the Hazardous Oil, Gas and Petrochemical industries.

The RF26 is an acoustic hood designed specifically for use on refineries, off shore platforms, drilling installations and other industrial locations.

Please do not hesitate to contact us for further information on our products we look forward to working with you on a project soon...

RF-26 TELEPHONE ACOUSTIC HOOD STANDARD LINER

Designed for use in noisy areas and harsh environments

Good acoustic qualities and highly visible

High visibility yellow paint finish

23dB noise reduction

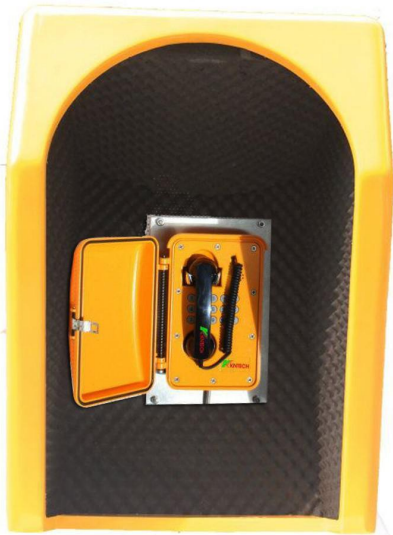
Telephone mounting panel 200mm deep shelf

Popular in noisy factories such as newspaper print rooms.

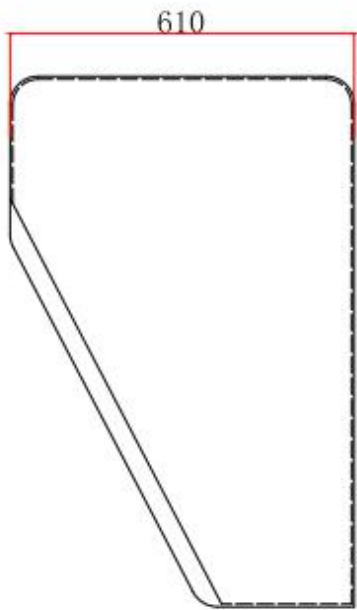
For external or internal use, the RF-13 is designed to attain a high level of noise reduction up to 23dB. Manufactured using general-purpose resin material Class 1 fire regulation, the RF-26 is extremely robust and weatherproof. Inside the hood's outer shell is a perforated polypropylene lining that houses 50mm non-hygroscopic acoustic insulation. Fitted to the inner back wall is a stainless steel apparatus plate or Cold rolled steel plate optional pls contact marketing stuff if you need this telephone plate.

The liner membrane provides excellent ambient noise rejection in the speech interference band between 400 Hz and 2400 Hz up to 23dBA.

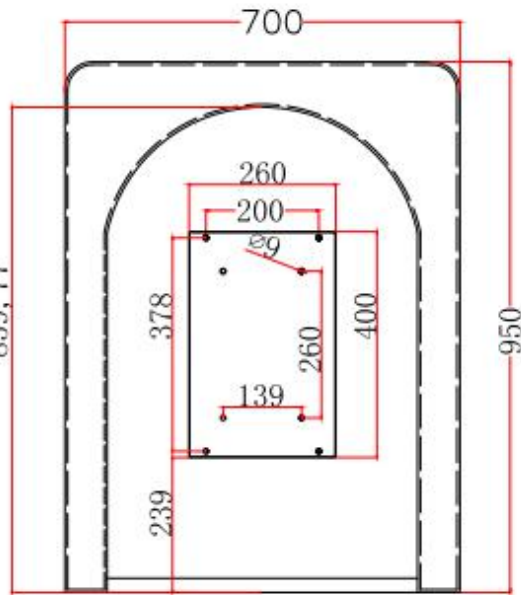
Corrosion proof construction and quality build ensure performance in applications including offshore installations, Refineries, Chemical plants and any industrial site where ambient noise inhibits efficient communications.



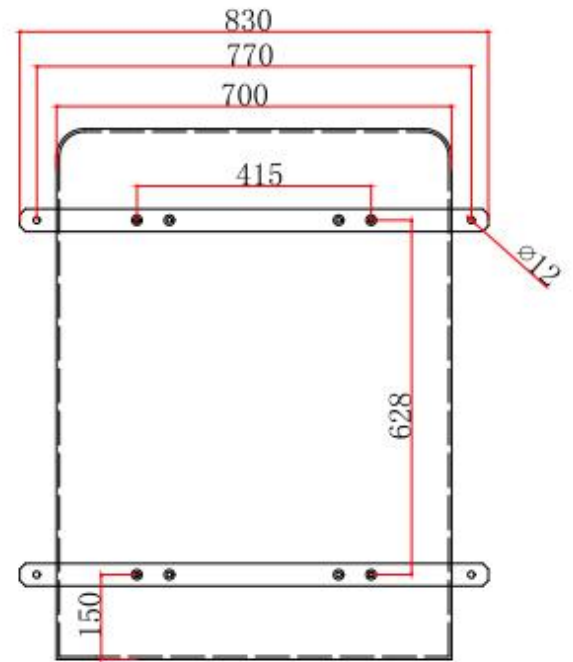
Telephone layout:



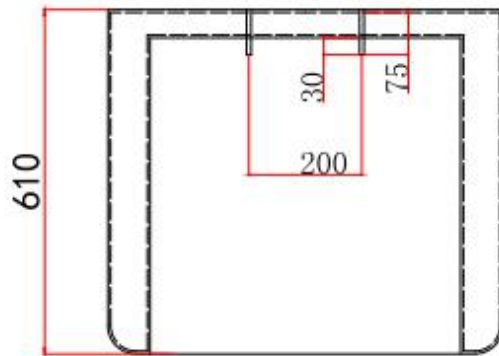
Right view



Front view

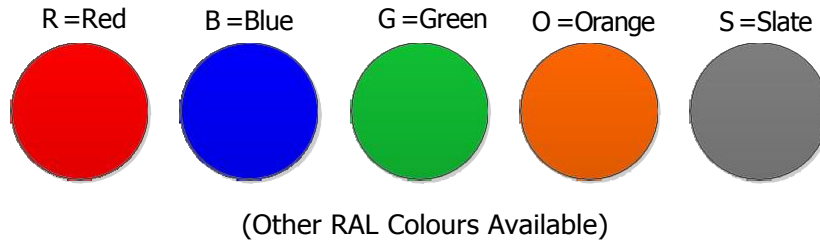


Rear view



Top view

Supplied in Yellow as standard. For other colours, add the following suffix:



Technical Specification	
Noise Attenuation	Better than -23dBA
Weight	unit weight: 45kg. With packing 51.5 kg in box packing
Height	950mm
Width	700mm
Depth	610mm
Ambient Temperature range	-50 °C to +80 °C
Humidity	Up to 100%
Packing box size	82*74.5*106mm
Material	Glass reinforced polyester
Field cable penetrations	Uncommitted
Colour	Gloss Yellow



Hongkong Koon Technology ltd

email: marketing@koontech.com web: www.koontech.com tel: 86-0755-27448753
address: T3 1001, Yifang Center Baoan, Shenzhen, China